

H24B with double buckle protective shell

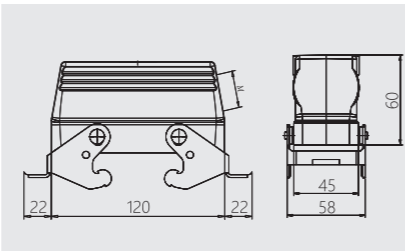
The base locks are: Plastic buckle, ordinary metal buckle and stainless steel metal buckle are optional
 Protective cover: Plastic protective cover, metal protective cover is optional.

Upper housing:
 Top out/With double buckle



Type	Metr.	Part No.
H24B-TSB-M25	25	19300241531
H24B-TSB-M32	32	19300241532

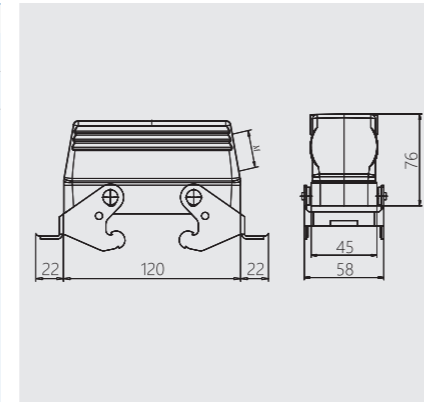
Drawing



Upper housing:
 Top out/With double buckle
 /High structure



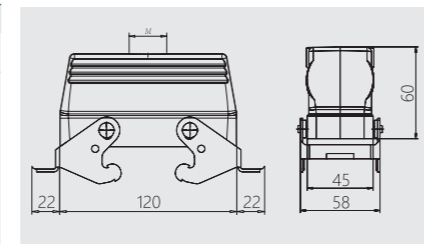
Type	Metr.	Part No.
H24B-TSBH-M25	25	19300240536
H24B-TSBH-M32	32	19300240537
H24B-TSBH-M40	40	19300240538



Upper housing:
 Side out/With double buckle



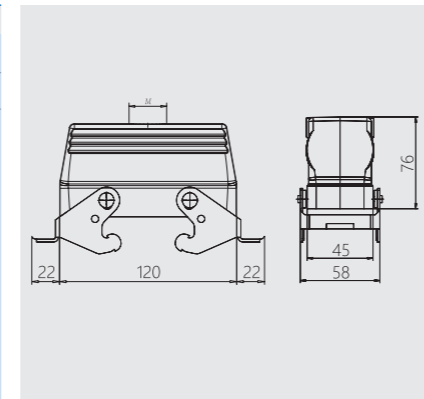
Type	Metr.	Part No.
H24B-TGB-M25	25	19300241431
H24B-TGB-M32	32	19300241432



Upper housing:
 Side out/With double buckle
 /High structure



Type	Metr.	Part No.
H24B-TGBH-M25	25	19300240436
H24B-TGBH-M32	32	19300240437
H24B-TGBH-M40	40	19300240438



H24B with double buckle protective shell

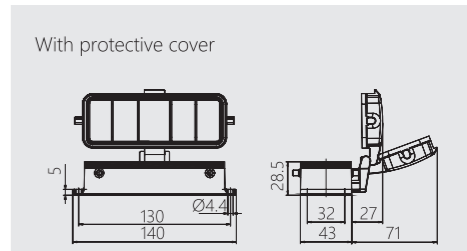
The base locks are: Plastic buckle, ordinary metal buckle and stainless steel metal buckle are optional.
 Protective cover: Plastic protective cover, metal protective cover is optional.

Lower housing: Four ears
 with cover open hole base



Type	Metr.	Part No.
H24B-AD-BO	/	09300240302

Drawing

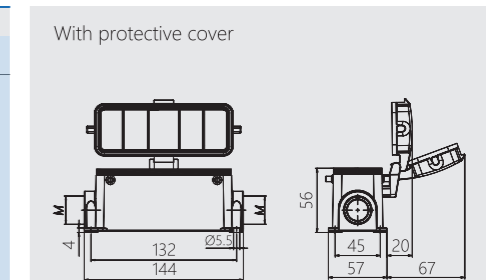


If only one cable output is required, additional sealing bolts need to be ordered.

Lower housing: Four ear
 covered surface mount



Type	Metr.	Part No.
H24B-SDR-BO-M25	1×25	19300241226
H24B-SDR-BO-2M25	2×25	19300241266

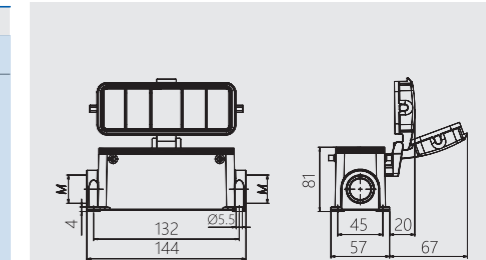


If only one cable output is required, additional sealing bolts need to be ordered.

Lower housing: Four lugs with
 cover surface mount base /
 tall construction



Type	Metr.	Part No.
H24B-SDRH-BO-M32	1×32	19300240267
H24B-SDRH-BO-2M32	2×25	19300242267

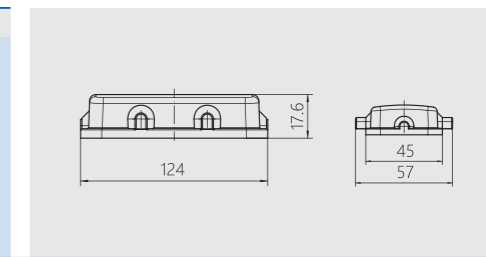


If only one cable output is required, additional sealing bolts need to be ordered.

Lower housing: Protection cap



Type	Metr.	Part No.
H24B-KDB	/	09300245407



H24B with single buckle protective shell

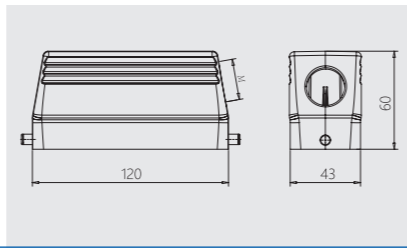
The base locks are: Plastic buckle, ordinary metal buckle and stainless steel metal buckle are optional.
Protective cover: Plastic protective cover, metal protective cover is optional.

Drawing

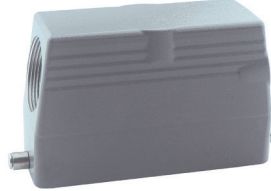
Upper housing: Side entry



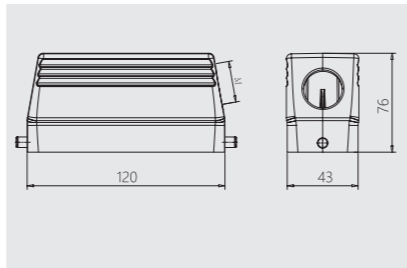
Type	Metr.	Part No.
H24B-TS-RO-M25	25	19300241541
H24B-TS-RO-M32	32	19300241542



Upper housing: Side entry /High structure



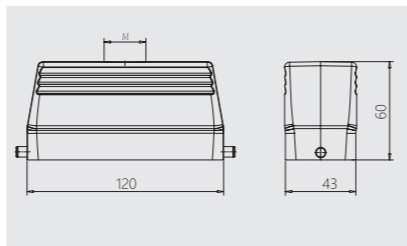
Type	Metr.	Part No.
H24B-TSH-RO-M25	25	19300240546
H24B-TSH-RO-M32	32	19300240547
H24B-TSH-RO-M40	40	19300240548



Upper housing: Top entry



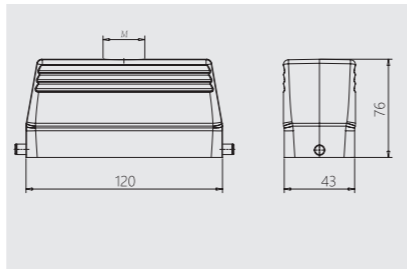
Type	Metr.	Part No.
H24B-TG-RO-M25	25	19300241441
H24B-TG-RO-M32	32	19300241442



Upper housing: Top entry/High structure



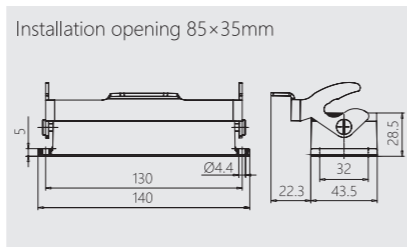
Type	Metr.	Part No.
H24B-TGH-RO-M25	25	19300240446
H24B-TGH-RO-M32	32	19300240447
H24B-TGH-RO-M40	40	19300240448



Lower housing: Open hole installation



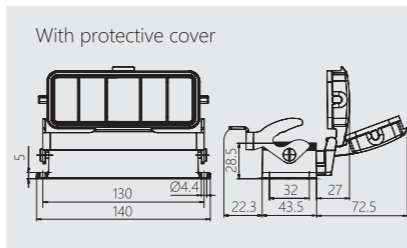
Type	Metr.	Part No.
H24B-AG-LB	/	09300240307



Lower housing: Open hole installation/With cover



Type	Metr.	Part No.
H24B-AD-LB	/	09300240306

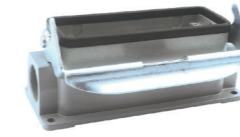


H24B with single buckle protective shell

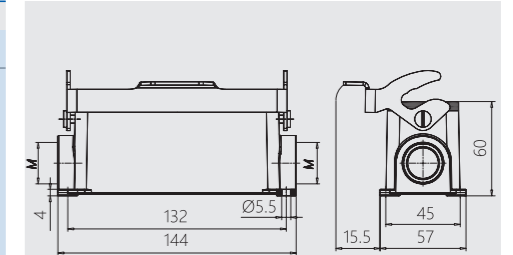
The base locks are: Plastic buckle, ordinary metal buckle and stainless steel metal buckle are optional.
Protective cover: Plastic protective cover, metal protective cover is optional.

Drawing

Lower housing:Surface mount



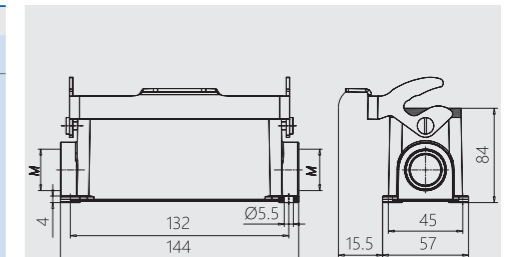
Type	Metr.	Part No.
H24B-SGR-LB-M25	1×25	19300241251
H24B-SGR-LB-2M25	2×25	19300241291



Lower housing: Surface mount /High structure



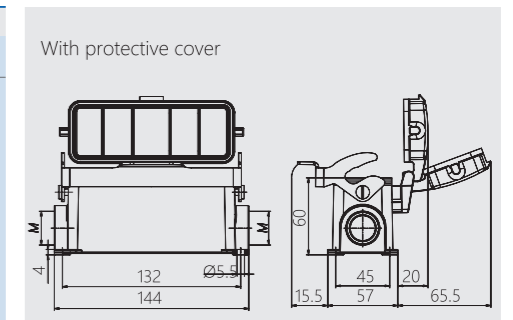
Type	Metr.	Part No.
H24B-SGRH-LB-M32	1×32	19300240252
H24B-SGRH-LB-2M32	2×32	19300240292



Lower housing:Surface mount /With cover



Type	Metr.	Part No.
H24B-SDR-LB-M25	1×25	19300240295
H24B-SDR-LB-2M25	2×25	19300241296



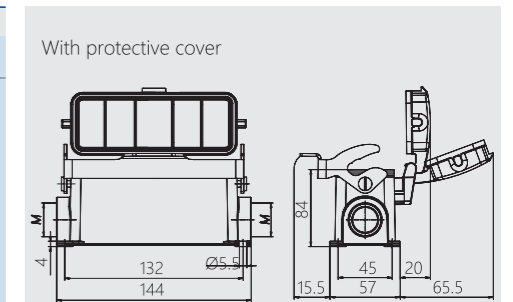
With protective cover

If only one cable output is required, additional sealing bolts need to be ordered.

Lower housing:Surface mount /With cover/High structure



Type	Metr.	Part No.
H24B-SDRH-LB-M32	1×32	19300240296
H24B-SDRH-LB-2M32	2×32	19300240297



With protective cover

If only one cable output is required, additional sealing bolts need to be ordered.

H32B with double buckle protective shell

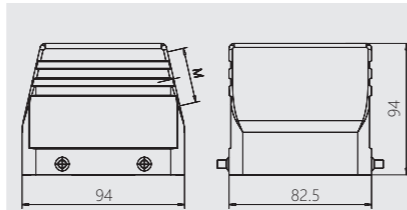
H32B with single buckle protective shell

Upper housing:
Double button side entry



Type	Metr.	Part No.
H32B-TS-M32	32	19300320527
H32B-TS-M40	40	19300320528
H32B-TS-M50	50	19300320529

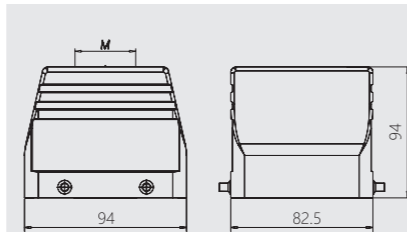
Drawing



Upper housing:
Double button top entry



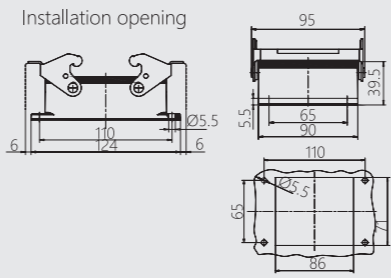
Type	Metr.	Part No.
H32B-TG-M32	32	19300320427
H32B-TG-M40	40	19300320428
H32B-TG-M50	50	19300320429
H32B-TG-M63	63	19300320430



Lower housing:
Double button hole installation



Type	Metr.	Part No.
H32B-AG	/	09300320301

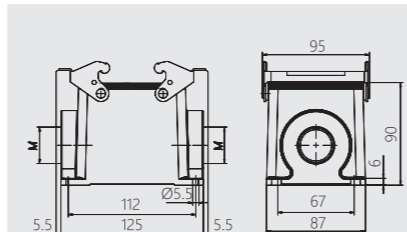


If only one cable output is required, additional sealing bolts need to be ordered.

Lower housing:
Double button surface mount



Type	Metr.	Part No.
H32B-SGR-M32	1×32	19300320232
H32B-SGR-M40	1×40	19300320242
H32B-SGR-2M32	2×32	19300320272
H32B-SGR-2M40	2×40	19300320273

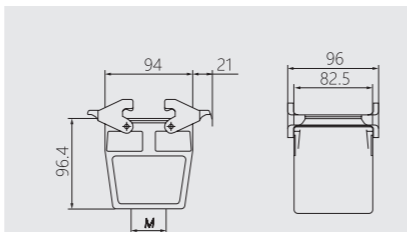


If only one cable output is required, additional sealing bolts need to be ordered.

Lower housing:
Double button cable docking housing



Type	Metr.	Part No.
H32B-TBF-M32	32	19300320737
H32B-TBF-M40	40	19300320738
H32B-TBF-M50	50	19300320739
H32B-TBF-M63	63	19300320740

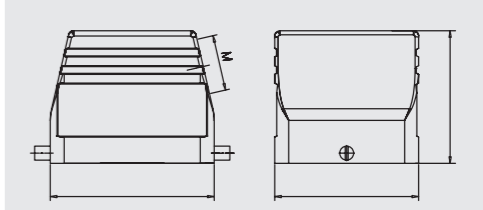


Upper housing:
Single button side entry



Type	Metr.	Part No.
H32B-TS-RO-M32	32	19300320547
H32B-TS-RO-M40	40	19300320548
H32B-TS-RO-M50	50	19300320549

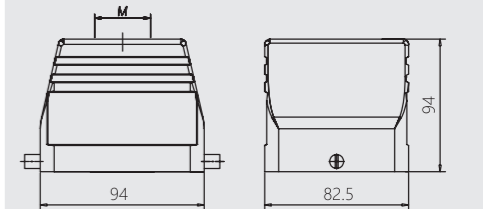
Drawing



Upper housing:
Single button top entry



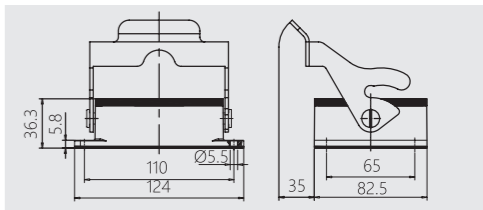
Type	Metr.	Part No.
H32B-TG-RO-M32	32	19300320447
H32B-TG-RO-M40	40	19300320448
H32B-TG-RO-M50	50	19300320449
H32B-TG-RO-M63	63	19300320450



Lower housing:
Single button hole installation



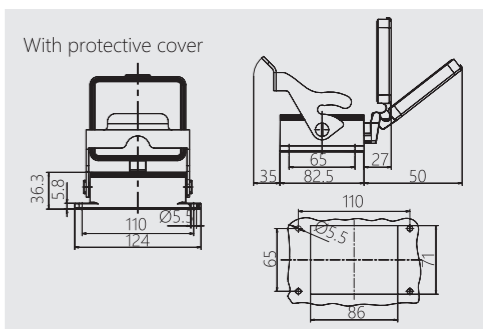
Type	Metr.	Part No.
H32B-AG-LB	/	09300320307



Lower housing:
Single snap hole installation
/With cover



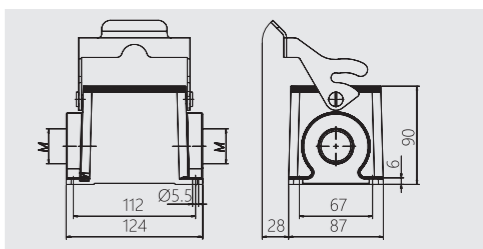
Type	Metr.	Part No.
H32B-AD-LB	/	09300320304



Lower shell: Single buckle
surface mount



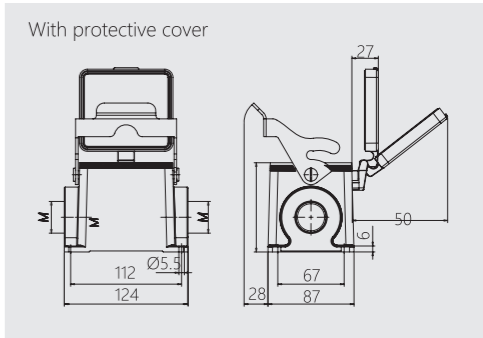
Type	Metr.	Part No.
H32B-SGR-LB-M32	1×32	19300321252
H32B-SGR-LB-M40	1×40	19300321253
H32B-SGR-LB-2M32	2×32	19300321291
H32B-SGR-LB-2M40	2×40	19300321292



Lower housing:
Single button surface mount



Type	Metr.	Part No.
H32B-SDR-LB-M32	1×32	19300321255
H32B-SDR-LB-M40	1×40	19300321256
H32B-SDR-LB-2M32	2×32	19300321295
H32B-SDR-LB-2M40	2×40	19300321296



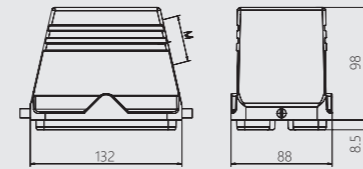
H48B protective shell

Upper housing: Side entry



Type	Metr.	Part No.
H48B-TS-M32	32	19300480547
H48B-TS-M40	40	19300480548
H48B-TS-M50	50	19300480549

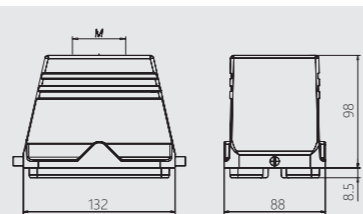
Drawing



Upper housing: Top entry



Type	Metr.	Part No.
H48B-TG-M32	32	19300480447
H48B-TG-M40	40	19300480448
H48B-TG-M50	50	19300480449
H48B-TG-M63	63	19300480450

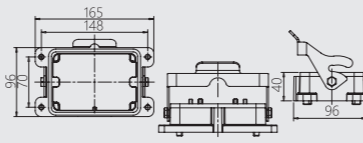


Lower housing: Open hole installation



Type	Metr.	Part No.
H48B-AG	/	09300480301

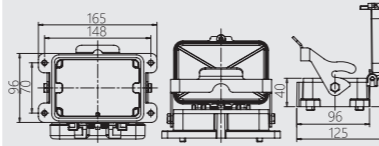
Installation opening



Lower housing: Open hole installation/With cover



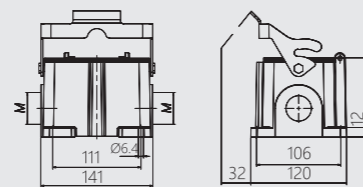
Type	Metr.	Part No.
H48B-AD	/	09300480317



Lower housing: Surface mounting



Type	Metr.	Part No.
H48B-SGR-M32	1×32	19300480292
H48B-SGR-M40	1×40	19300480293
H48B-SGR-2M32	2×32	19300481292
H48B-SGR-2M40	2×40	19300481293

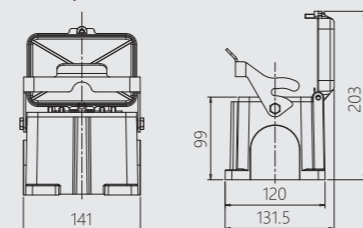


Lower housing: Surface mounting/With cover



Type	Metr.	Part No.
H48B-SDR-M32	1×32	19300480297
H48B-SDR-M40	1×40	19300480298
H48B-SDR-2M32	2×32	19300482297
H48B-SDR-2M40	2×40	19300482298

Blind way



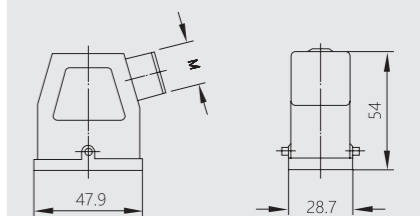
H8A protective outer shell

Upper housing: Side entry



Type	Metr.	Part No.
H8A-TS-M25	25	19120080501

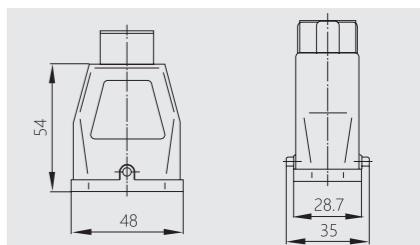
Drawing



Upper housing: Top entry



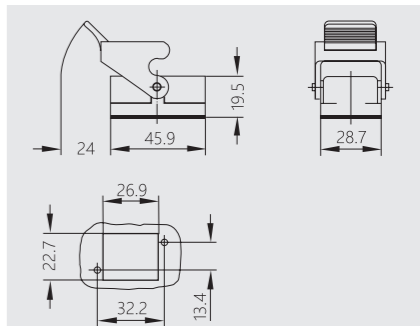
Type	Metr.	Part No.
H8A-TG-M25	25	19120080429



Lower housing: Open hole installation



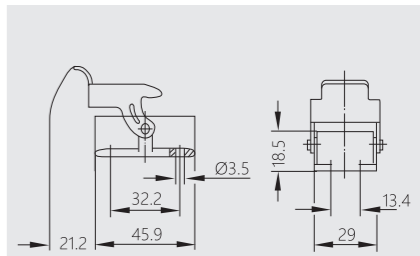
Type	Metr.	Part No.
H8A-AG	/	09120080327



Lower housing: Open hole installation Housings, bulkhead mounting



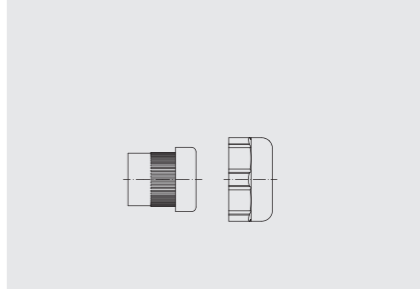
Type	Metr.	Part No.
H8A-AGM	/	09120080301



Tighten the pieces



Type	Metr.	Part No.
H8A-25-P	25	09120005157



Special housing (IP65) series

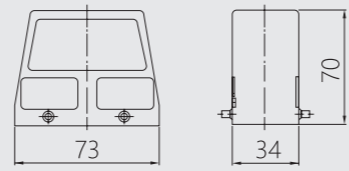
For special purposes (opening position and quantity are optional)

Upper housing: Top entry

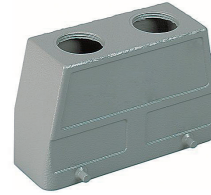


Specification	Type	Metr.	Part No.
H10B	H10B-TGH-2M20	2×20	19300100465

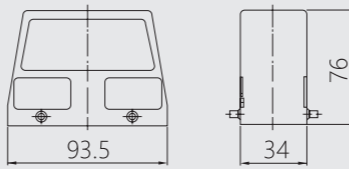
Drawing



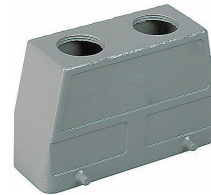
Upper housing: Top entry



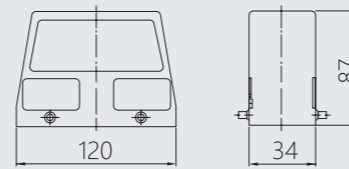
Specification	Type	Metr.	Part No.
H16B	H16B-TGH-2M25	2×25	19300160466
H16B	H16B-TGH-M20/32	20+32	19300160566



Upper housing: Top entry



Specification	Type	Metr.	Part No.
H24B	H24B-TGH-2M25	2×25	19300240466
H24B	H24B-TGH-2M32	2×32	19300240467
H24B	H24B-TGH-M25/32	25+32	19300240567



HB middle locking metal casing



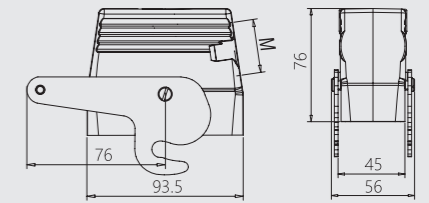
HB middle lock (IP65) series

Upper housing: Side entry

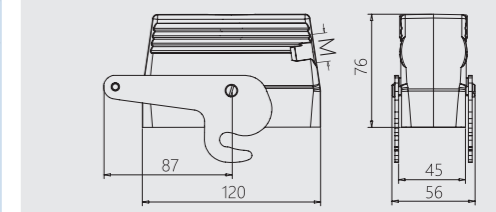


Specification	Type	Metr.	Part No.
H16B	H16B-TSH-RC-M25	25	19370160586
H16B	H16B-TSH-RC-M32	32	19370160587

Drawing



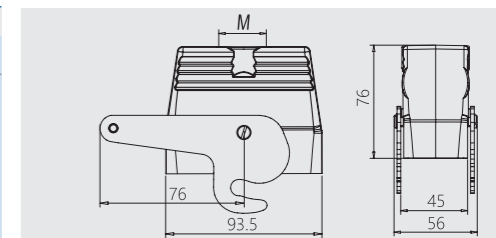
H24B	H24B-TSH-RC-M32	32	19370240587
H24B	H24B-TSH-RC-M40	40	19370240588



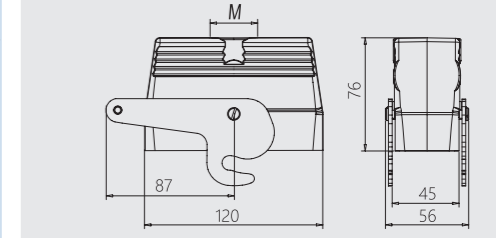
Upper housing: Top entry



Specification	Type	Metr.	Part No.
H16B	H16B-TGH-RC-M32	32	19370160487
H16B	H16B-TGH-RC-M40	40	19370160488



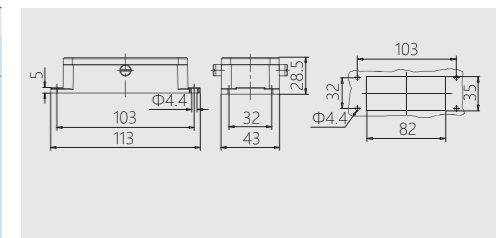
H24B	H24B-TGH-RC-M32	32	19370240487
H24B	H24B-TGH-RC-M40	40	19370240488



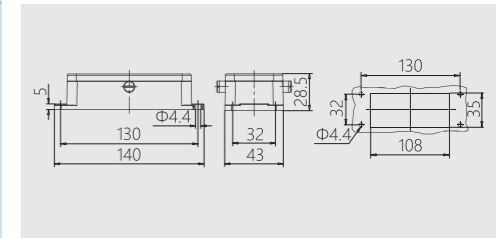
Lower housing: Open hole installation



Specification	Type	Metr.	Part No.
H16B	H16B-AG-RC	/	09300160381



H24B	H24B-AG-RC	/	09300240381
------	------------	---	-------------



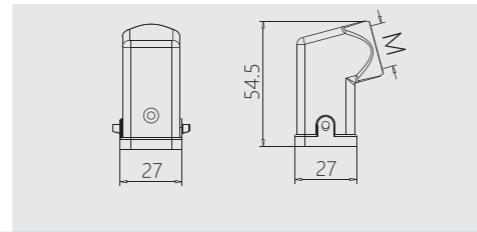
10

Heavy Duty Connector

Drawing

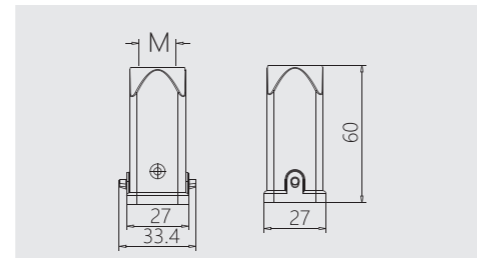
Upper housing: Side entry

Specification	Type	Metr.	Part No.
H3A	H3AEMCS-TS-M20	20	19620031640



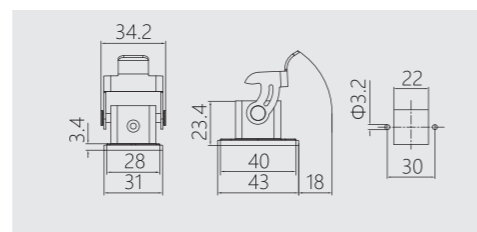
Upper housing: Top entry

Specification	Type	Metr.	Part No.
H3A	H3AEMCS-TG-M20	20	19620031440



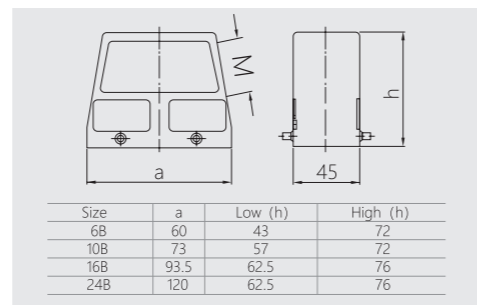
Lower housing: Open hole installation

Specification	Type	Metr.	Part No.
H3A	H3AEMCS-AG	/	09620030301



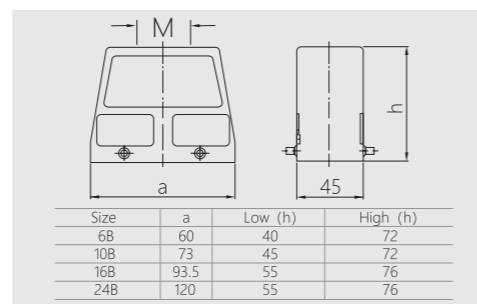
Upper housing: Side entry

Specification	Type	Metr.	Part No.
6B	H6BEMCS-TSH-M20	20	19628061520
10B	H10BEMCS-TSH-M25	25	19628101521
16B	H16BEMCS-TSH-M32	32	19628161527
24B	H24BEMCS-TSH-M32	32	19628241528



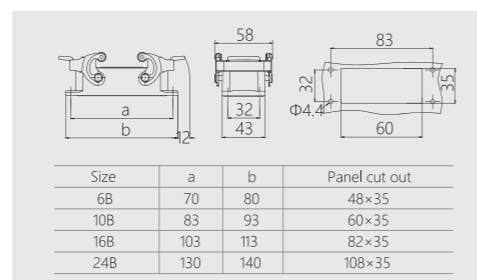
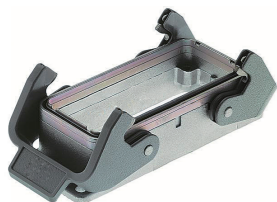
Upper housing: Top entry

Specification	Type	Metr.	Part No.
6B	H6BEMCS-TGH-M20	20	19628061440
10B	H10BEMCS-TGH-M25	25	19628101420
16B	H16BEMCS-TGH-M32	32	19628161421
24B	H24BEMCS-TGH-M32	32	19628241422

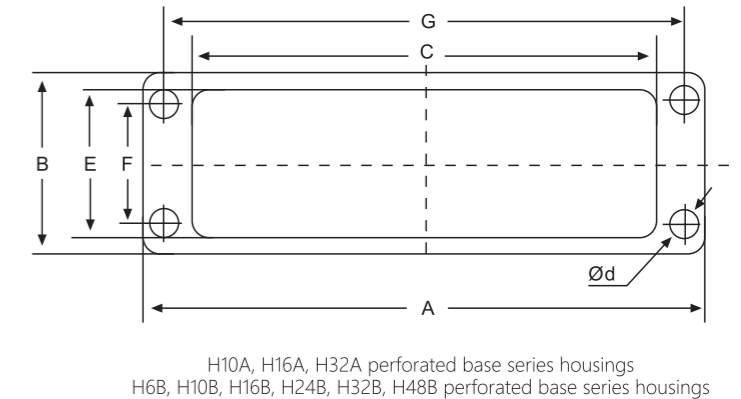
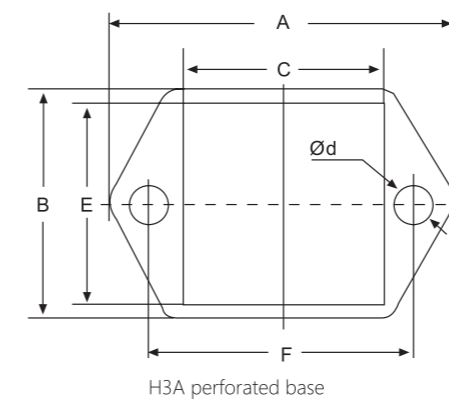


Lower housing: Open hole installation

Specification	Type	Metr.	Part No.
H6B	H6BEMCS-AG	/	09628060301
H10B	H10BEMCS-AG	/	09628100301
H16B	H16BEMCS-AG	/	09628160301
H24B	H24BEMCS-AG	/	09628240301



Socket housing type	Installation form	Size						
		A	B	C	E	F	G	Ød
H3A	Open hole installation	40	28	21	21	30	/	3.3
	Surface mount	40	28	/	/	30	/	3.3
H10A	Open hole installation	81	29.5	57	24	17.5	70	3.6
	Surface mount	80	50	/	/	40	48	4.5
H16A	Open hole installation	96	29.5	73	24	17.5	86	3.6
	Surface mount	96	50	/	/	40	64	4.5
H32A	Open hole installation	102	56	74	48	42	92	4.3
	Surface mount	106	57	/	/	46	94	5.5
H6B	Open hole installation	80	43	52	35	32	70	4.3
	Surface mount	82	52	/	/	40	70	5.5
H10B	Open hole installation	93	43	65	35	32	83	4.3
	Surface mount	94	52	/	/	40	82	5.5
H16B	Open hole installation	113	43	85	35	32	103	4.3
	Surface mount	117	57	/	/	45	105	5.5
H24B	Open hole installation	140	43	112	35	32	130	4.3
	Surface mount	144	57	/	/	45	132	5.5
H32B	Open hole installation	124	79	85	71	65	110	5.5
	Surface mount	124.5	81	/	/	67	112	5.5
H48B	Open hole installation	165	90	124	82	70	148	7
	Surface mount	132	120	/	/	106	111	6.5



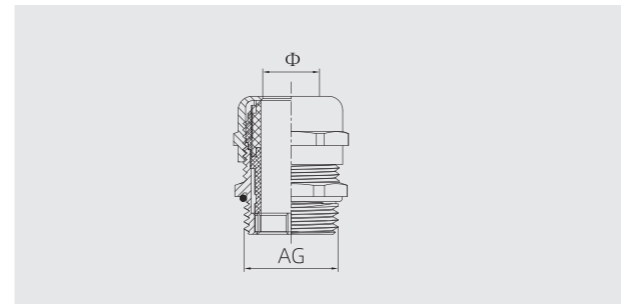
Comparison diagram of PG thread and M thread conversion

PG system	Conversion Reference	M system
PG11		M20
PG13.5		M25
PG16		M32
PG21		M40
PG29		M40
PG36		M50
PG42		M50

PG cable connector installation opening size:

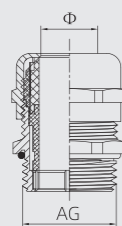
PG thread model	Installation hole size $D_{h0.1}^{+0.1}$
PG7	12.8
PG9	15.5
PG11	18.9
PG13.5	20.7
PG16	22.8
PG21	28.6
PG29	37.3
PG36	47.3
PG42	54.3
PG48	59.6

Metric thread plastic fittings	Size (AG)	Clamping range (Φ)	Type	Part No.
	PG7	3~6.5	FAS-7-PS	60207101
	PG9	4~8	FAS-9-PS	60209101
	PG11	5~10	FAS-11-PS	60211101
	PG13.5	6~12	FAS-13-PS	60213101
	PG16	10~14	FAS-16-PS	60216101
	PG21	13~18	FAS-21-PS	60221101
	PG29	18~25	FAS-29-PS	60229101
	PG36	22~32	FAS-36-PS	60236101
	PG42	32~38	FAS-42-PS	60242101
	PG48	37~44	FAS-48-PS	60248101
	M12×1.5	3~6.5	FAS-12-P	60212102
	M16×1.5	4~8	FAS-16-P	60216102
	M20×1.5	6~12	FAS-20-P	60220102
	M25×1.5	13~18	FAS-25-P	60225102
	M32×1.5	18~25	FAS-32-P	60232102
	M40×1.5	22~32	FAS-40-P	60240102
	M50×1.5	32~38	FAS-50-P	60250102
	M63×1.5	37~44	FAS-63-P	60263102



Metric Threaded Metal Fittings

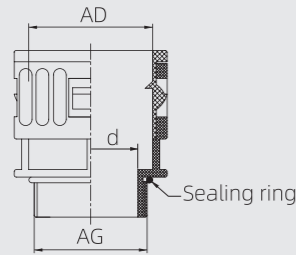
Protection level: IP68
 Material: brass nickel plated
 Clamping piece: Nylon PA
 Seals: NBR
 Operating temperature: -40°C ~ +100°C



Size(AG)	Clamping range(Φ)	Type	Part No.
PG7	2~5 3~6.5	FAS-7-MST FAS-7-MS	60107111 60107101
PG9	2~6 4~8	FAS-9-MST FAS-9-MS	60109111 60109101
PG11	3~7 5~10	FAS-11-MST FAS-11-MS	60111111 60111101
PG13.5	5~9 6~12	FAS-13-MST FAS-13-MS	60113111 60113101
PG16	7~12 10~14	FAS-16-MST FAS-16-MS	60116111 60116101
PG21	9~16 13~18	FAS-21-MST FAS-21-MS	60121111 60121101
PG29	13~20 18~25	FAS-29-MST FAS-29-MS	60129111 60129101
PG36	20~26 22~32	FAS-36-MST FAS-36-MS	60136111 60136101
PG42	25~31 32~38	FAS-42-MST FAS-42-MS	60142111 60142101
PG48	29~35 37~44	FAS-48-MST FAS-48-MS	60148111 60148101
M12×1.5	2~5 3~6.5	FAS-12-MT FAS-12-M	60112112 60112102
M16×1.5	2~6 4~8	FAS-16-MT FAS-16-M	60116112 60116102
M20×1.5	5~9 6~12	FAS-20-MT FAS-20-M	60120112 60120102
M25×1.5	9~16 13~18	FAS-25-MT FAS-25-M	60125112 60125102
M32×1.5	13~20 18~25	FAS-32-MT FAS-32-M	60132112 60132102
M40×1.5	20~26 22~32	FAS-40-MT FAS-40-M	60140112 60140102
M50×1.5	25~31 32~38	FAS-50-MT FAS-50-M	60150112 60150102
M63×1.5	29~35 37~44	FAS-63-MT FAS-63-M	60163112 60163102

Quick plastic hose coupling

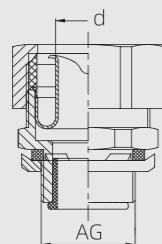
Protection degree: IP65
 Seal material : Nylon PA
 Temperature range : -40°C to +100°C



Designation (AG)	Suitable conduits (AD)	Interior (d)	Type	Part No.
PG7	AD10.0	7	QSC-7-PS	61707101
PG9	AD13.0	10	QSC-9-PS	61709101
PG11	AD15.8	12	QSC-11-PS	61711101
PG13.5	AD18.5	14	QSC-13-PS	61713101
PG16	AD21.2	17	QSC-16-PS	61716101
PG21	AD28.5	23.5	QSC-21-PS	61721101
PG29	AD34.5	30	QSC-29-PS	61729101
PG36	AD42.5	36.5	QSC-36-PS	61736101
PG48	AD54.5	48	QSC-48-PS	61748101
M12×1.5	AD10.0	7.0	QSC-12-P	61712102
M16×1.5	AD13.0	10	QSC-16-P	61716102
M20×1.5	AD18.5	14.5	QSC-20-PT	61720112
	AD21.2	15.5	QSC-20-P	61720102
M25×1.5	AD21.2	17	QSC-25-PT	61725112
	AD28.5	20.5	QSC-25-P	61725102
M32×1.5	AD28.5	23.5	QSC-32-PT	61732112
	AD34.5	26	QSC-32-P	61732102
M40×1.5	AD34.5	28.5	QSC-40-PT	61740112
	AD42.5	33	QSC-40-P	61740102
M50×1.5	AD42.5	36.5	QSC-50-PT	61750112
	AD54.5	43	QSC-50-P	61750102
M63×1.5	AD54.5	43	QSC-63-P	61763102

Metal hose connector

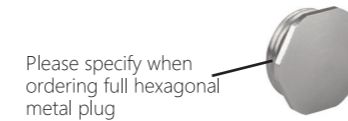
Protection level: IP65
 Material: zinc alloy
 Seal: Nylon PA
 Operating temperature: -40°C to +100°C



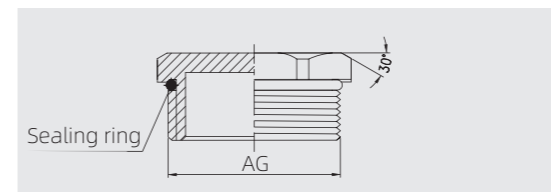
Designation (AG)	Suitable conduits size Inch	Nominal Interior(d)	Type	Part No.
PG7	G3/16	Ø6	JRC-7-MS	61607101
PG9	G1/4	Ø8	JRC-9-MST	61609111
PG9	G6/15	Ø10	JRC-9-MS	61609101
PG11	G3/8	Ø12.5	JRC-11-MS	61611101
PG13.5	G3/8	Ø12.5	JRC-13-MST	61613111
PG13.5	G1/2	Ø15.5	JRC-13-MS	61613101
PG16	G1/2	Ø15.5	JRC-16-MS	61616101
PG21	G3/4	Ø20	JRC-21-MS	61621101
PG29	G1	Ø25	JRC-29-MST	61629111
PG29	G1 1/4	Ø32	JRC-29-MS	61629101
PG36	G1 1/2	Ø38	JRC-36-MS	61636101
PG42	G1 1/2	Ø38	JRC-42-MS	61642101
PG48	G2	Ø51	JRC-48-MS	61648101
M12×1.5	G1/4	Ø6	JRC-12-M	61612102
M16×1.5	G3/8	Ø8	JRC-16-MT	61616112
	G3/8	Ø10	JRC-16-M	61616102
M20×1.5	G3/8	Ø12	JRC-20-MT	61620112
	G1/2	Ø15	JRC-20-M	61620102
M25×1.5	G3/4	Ø20	JRC-25-M	61625102
M32×1.5	G1	Ø25	JRC-32-M	61632102
M40×1.5	G1 1/4	Ø32	JRC-40-M	61640102
M50×1.5	G1 1/2	Ø38	JRC-50-M	61650102
M63×1.5	G2	Ø51	JRC-63-M	61663102

Metal plug

Protection degree: IP68
 Material : Nickel plated brass
 O-ring type sealing ring : NBR
 Temperature range : -40°C to +100°C



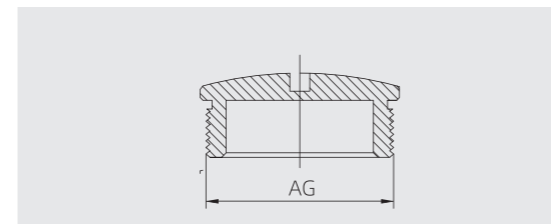
Please specify when ordering full hexagonal metal plug



Designation(AG)	Type	Part No.
PG7	BLIND-7-MS	60907101
PG9	BLIND-9-MS	60909101
PG11	BLIND-11-MS	60911101
PG13.5	BLIND-13-MS	60913101
PG16	BLIND-16-MS	60916101
PG21	BLIND-21-MS	60921101
PG29	BLIND-29-MS	60929101
PG36	BLIND-36-MS	60936101
PG42	BLIND-42-MS	60942101
PG48	BLIND-48-MS	60948101
M12×1.5	BLIND-12-M	60912102
M16×1.5	BLIND-16-M	60916102
M20×1.5	BLIND-20-M	60920102
M25×1.5	BLIND-25-M	60925102
M32×1.5	BLIND-32-M	60932102
M40×1.5	BLIND-40-M	60940102
M50×1.5	BLIND-50-M	60950102
M63×1.5	BLIND-63-M	60963102

Nylon blind plugs

Protection degree:IP68
 Material : PA
 O-ring type sealing ring : NBR
 Temperature range : -40°C to +100°C



Designation(AG)	Type	Part No.
PG7	BLIND-7-PS	61907101
PG9	BLIND-9-PS	61909101
PG11	BLIND-11-PS	61911101
PG13.5	BLIND-13-PS	61913101
PG16	BLIND-16-PS	61916101
PG21	BLIND-21-PS	61921101
PG29	BLIND-29-PS	61929101
PG36	BLIND-36-PS	61936101
PG42	BLIND-42-PS	61942101
PG48	BLIND-48-PS	61948101
M12×1.5	BLIND-12-P	61912102
M16×1.5	BLIND-16-P	61916102
M20×1.5	BLIND-20-P	61920102
M25×1.5	BLIND-25-P	61925102
M32×1.5	BLIND-32-P	61932102
M40×1.5	BLIND-40-P	61940102
M50×1.5	BLIND-50-P	61950102
M63×1.5	BLIND-63-P	61963102



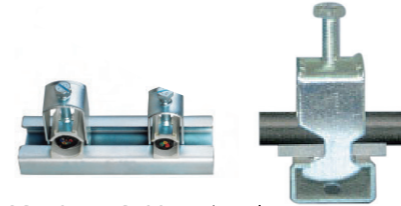
Advantage

- ◆ **Flexible**
Because of the many different types of DIN rails and screw type assemblies, FAS offers numerous mounting options.
- ◆ **Fast and easy assembly**
Securing the cables is done quickly and inexpensively with standard cable ties.
- ◆ **Secure hold**
The unique shape of the strain relief securely holds the cable tie and cable.
- ◆ **Large contact area**
The shielding ground terminal has a large contact area with the cable shielding layer (Figure A). Compared with traditional shielded ground terminals, we can increase the contact area by 50% when using the product, thereby reducing contact resistance.
- ◆ **Greatly reduce high frequency interference**
The shielded ground terminal provides very low impedance over a wide frequency range. For example, at 1000 MHz, it reaches 120 Ohms; from 10 KHz to 100 MHz, it reaches 20 Ohms.



Single-layer color zinc wire clamp

Single-layer color zinc wire clamp 1
Adapt to ACR30 guide rail

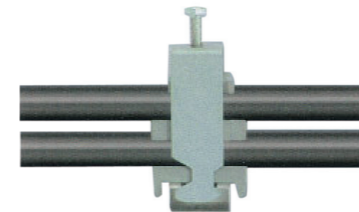


SCR40 or ACR30 guide rail

Cable diameter ϕ (mm)	Size B/H		Type	Part No.
6-12	21	23	K12	63312112
12-18	22.5	65	K18	63318118
18-22	27	70	K22	63322122
22-30	39	85	K30	63330130
30-38	45	90	K38	63338138
38-42	47	95	K42	63342142
42-50	57	120	K50	63350150
50-64	70	130	K64	63364164

Double-layer color zinc wire clamp

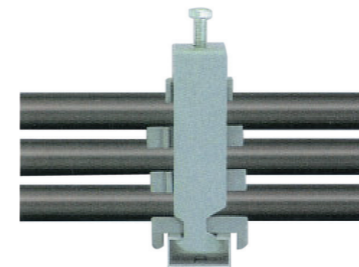
Adapt to ACR30 guide rail



Cable diameter ϕ (mm)	Size B/H		Type	Part No.
6-12	16	75	K12.2	63312212
12-14	18	77	K14.2	63314214
14-16	20	81	K16.2	63316216
16-18	22	88	K18.2	63318218
18-20	24	90	K20.2	63320220
20-22	26	95	K22.2	63322222
22-26	30	104	K26.2	63326226
26-30	34	122	K30.2	63330230
30-34	38	130	K34.2	63334234

Three-layer color zinc wire clamp

Adapt to ACR30 guide rail

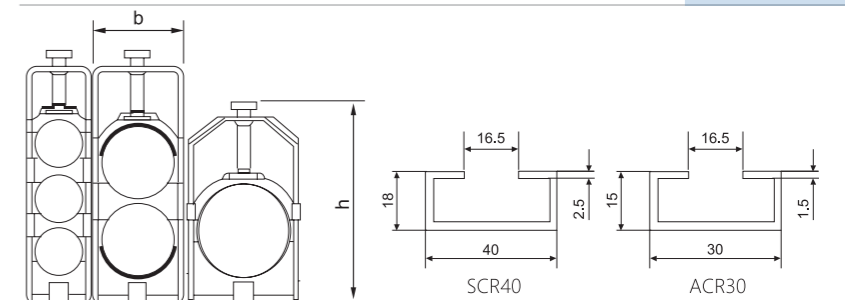


Cable diameter ϕ (mm)	Size B/H		Type	Part No.
6-12	16	105	K12.3	63312312
12-14	18	107	K14.3	63314314
14-16	20	109	K16.3	63316316
16-18	22	113	K18.3	63318318
18-20	24	117	K20.3	63320320
20-22	26	125	K22.3	63322322

Rails



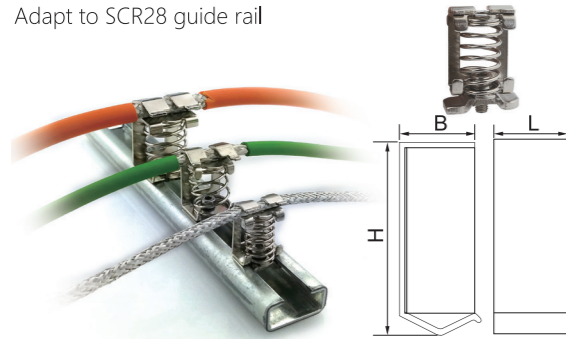
Rail adaptor system	Type	Part No.
Steel rail	SCR40	63540000
Aluminum rail	ACR30	63530000



Electromagnetic shielding cable clamp

Electromagnetic shielding cable clamp - shrapnel type

Adapt to SCR28 guide rail



Type	Shielded cable diameter	Size L×B×H (mm)	Part No.
SK 3-8	3-8mm	18×14×26	63403081
SK 4-13.5	4-13.5mm	20×20×31	63404131
SK 10-20	10-20mm	26×24×40	63410201
SK 15-32	15-32mm	32×35×64	63415321

Electromagnetic shielding cable clamp- shrapnel type

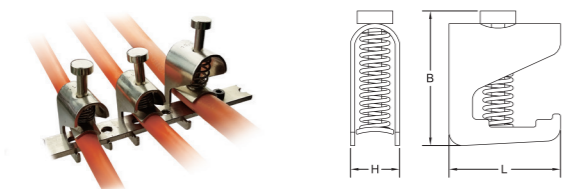
Compatible with ACR35 guide rail



Type	Shielded cable diameter	Size L×B×H (mm)	Part No.
SKF 3-8	3-8mm	18×14×26	63403082
SKF 4-13.5	4-13.5mm	20×20×31	63404132
SKF 10-20	10-20mm	26×24×40	63410202
SKF 15-32	15-32mm	32×35×64	63415322

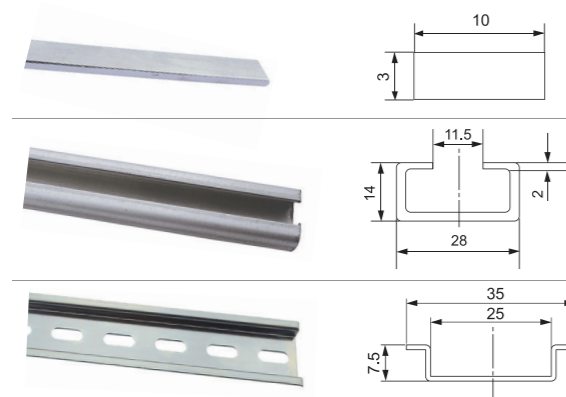
Electromagnetic Shielding Cable Clamp -Bus Type

Compatible with ACR10 guide rail



Type	Shielded cable diameter	Size L×B×H (mm)	Part No.
SKS 1-6	1.5-6.5mm	11×25×30	63401065
SKS 5-11	5-11mm	17×25×36	63405115
SKS 10-17	10-17mm	24×25×46	63410175

Light pipe clamp guide rail

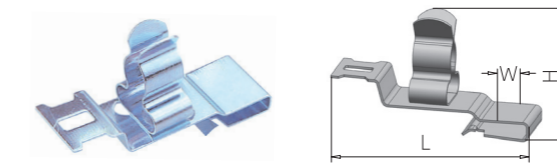


Packing quantity PU	Type	Part No.
1 m	ACR10	99036099
1 m	SCR28	63528000
1 m	ACR35	99036098

Cable fastener

PSKL Ground terminal for busbars

Compatible with ACR10 guide rail



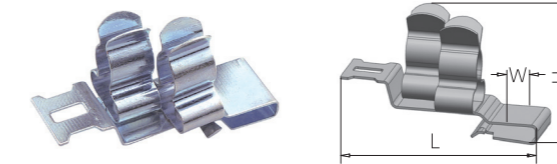
- Advantage
- Optimum contact area for cable shielding
 - Easy assembly without tools
 - Shockproof and maintenance-free
 - Permanent, continuous spring pressure on cable shields without pressure adjustment.

Type	Size L×B×H (mm)	Cable diameterφ(mm)	Part No.
PSKL 1.5-3	42 x 13 x 24.5	1.5 - 3.0	63401036
PSKL 3 - 6	42 x 13 x 24.5	3.0 - 6.0	63403066
PSKL 6 - 8	42 x 13 x 24.5	6.0 - 8.0	63406086
PSKL 8 - 11	42 x 13 x 24.5	8.0 - 11	63408116

Specification
 SKL-clamp: Spring steel, galvanized
 PFK-foot: Spring steel
 Compatible with busbar thickness 1.5 - 2 mm.

DSKL is used for the ground terminal of the busbar (two)

Compatible with ACR10 guide rail



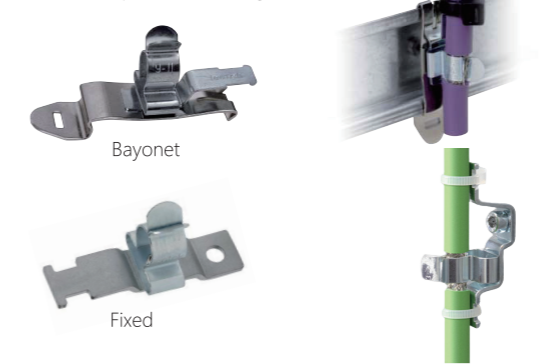
- Advantage
- Optimum contact area for cable shielding
 - Easy assembly without tools
 - Shockproof and maintenance-free
 - Permanent, continuous spring force on the cable shield, no adjustments to the force are required.
 - Optimal use of space

Type	Size L×B×H (mm)	Cable diameterφ(mm)	Part No.
DSKL 1.5 - 3	42 x 13 x 24.5	1.5 - 3.0	63401037
DSKL 3 - 6	42 x 13 x 24.5	3.0 - 6.0	63403067
DSKL 6 - 8	42 x 13 x 24.5	6.0 - 8.0	63406087
DSKL 8 - 11	42 x 13 x 24.5	8.0 - 11.0	63409117

Specification
 SKL-clamp: Spring steel, galvanized
 PFK-foot: Spring steel
 Compatible with busbar thickness 1.5 - 2 mm.

Electromagnetic shielding cable clamp

SKL adapts to ACR35 guide rail



Shielded cable diameter	Bayonet Type	Bayonet Part No.	Fixed Type	Fixed Part No.
3-6mm	SKL 3-6	63403064	ZSKL 3-6	63403068
6-8mm	SKL 6-8	63406084	ZSKL 6-8	63406088
8-12mm	SKL 8-11	63409114	ZSKL 8-11	63409118
12-17mm	SKL 12-16	63412164	ZSKL 12-16	63412168
17-23mm	SKL 17-22	63417224	ZSKL 17-22	63417228
23-29mm	SKL 23-29	63423294	ZSKL 23-29	63423298

EMC grounding combination with stress relief



Type	Number of shield clamps	Length	Width	Part No.
RSKL 3-6(x6)	6xSKL(3-6)	88.0 mm	44.4mm	63400006
RSKL 6-8(x6)	6xSKL(6-8)	88.0 mm	44.4mm	63400007
RSKL 8-11(x6)	6xSKL(8-11)	88.0 mm	44.4mm	63400008



Overview

By using FAS's cable management system, users can quickly install and organize cables and provide a certain amount of tension.

Cable organizing systems are suitable for organizing and fixing cables in mechanical equipment, switch cabinets, other enclosures, etc.

Advantage

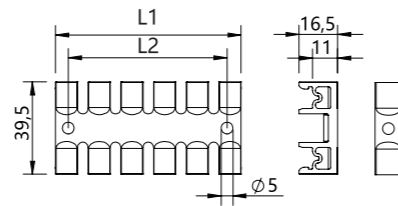
- ◆ Flexible
The FAS cable management board provides a variety of installation methods, and can be installed using DIN rails or screws of various specifications.
- ◆ Easy, quick installation Quickly secure cables with standard nylon ties.
- ◆ Stability, the unique shape of the cable management board can firmly fix the cables.
- ◆ Very high installation density, the cable management board is available in several sizes, greatly increasing the installation density through multi-layer installation.

FAS-ZD cable management board

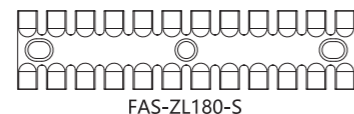
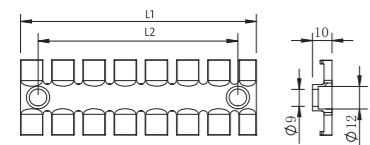
Material: Polyamide (nylon)
Flame retardant grade: UL-94 V0, self-extinguishing
Temperature range: -40°C to +140°C (static)
Features: Halogen-free, silicon-free



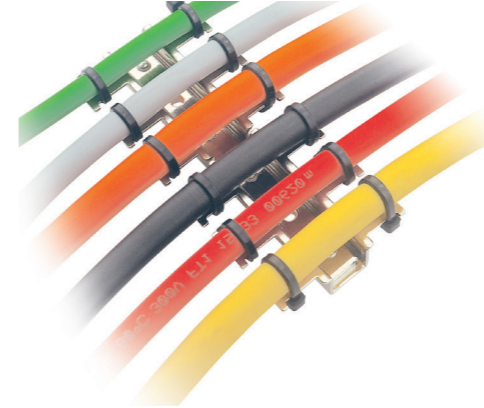
Type	length L1	length L2	Number of saw teeth	Packing quantity	Remark	Order number
FAS-ZD 80 (L1:79,L2:68)	79.5mm	68.0mm	6	10	Tie 6 wires	900131
FAS-ZD 140 (L1:139,L2:128)	139.5mm	128.1mm	9	10	Tie 9 wires	900132



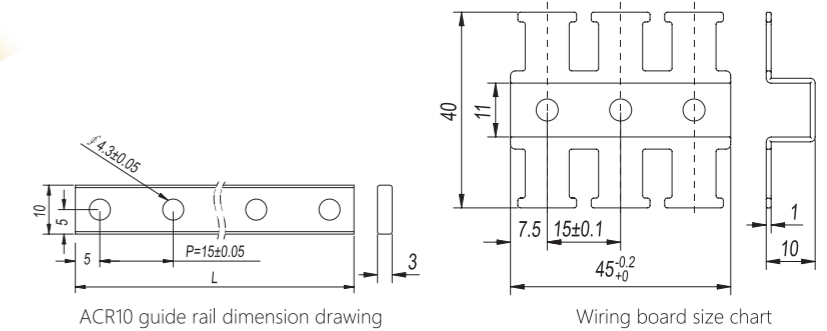
FAS-ZL cable management board (plastic)



Type	length L1	length L2	Number of saw teeth	Order number
FAS-ZL39-S	38.5 mm	19.5 mm	3	900331
FAS-ZL60-S	59.5 mm	43.5 mm	4	900332
FAS-ZL70-S	69.1 mm	43.5 mm	5	900333
FAS-ZL87-S	86.5 mm	68 mm	6	900334
FAS-ZL103-S	102.5 mm	84 mm	7	900335
FAS-ZL121-S	121 mm	102.5 mm	8	900336
FAS-ZL140-S	139.5 mm	121 mm	9	900337
FAS-ZL180-S	180 mm	157 mm	12	900338

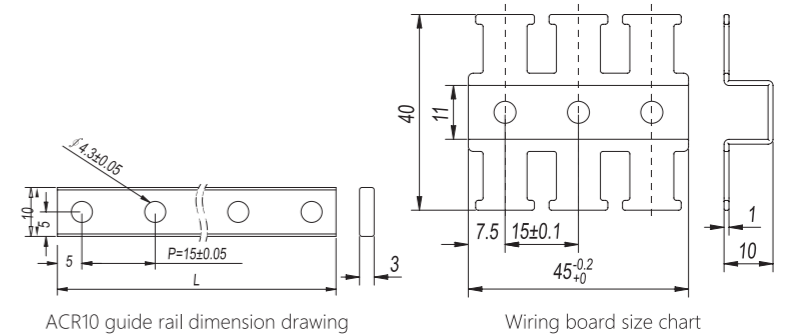
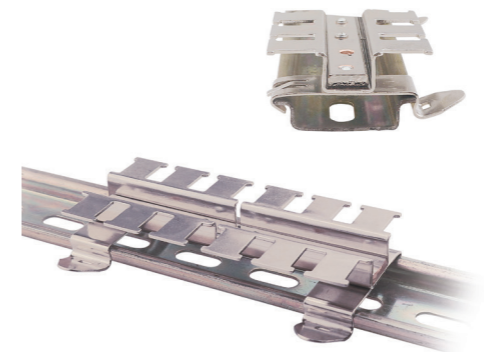


Wire binding plate material: Hot rolled steel plate
Flame retardant grade: UL-94 V0, self-extinguishing
Temperature range: -40°C to +140°C (static)
Features: Halogen-free, silicon-free



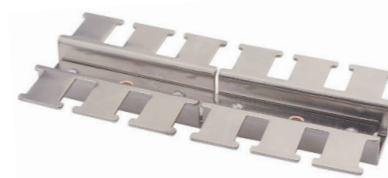
FAS-ZKL snap-on cable management board

Wire binding plate material: Hot rolled steel plate
Flame retardant grade: UL-94 V0, self-extinguishing
Temperature range: -40°C to +140°C (static)
Features: Halogen-free, silicon-free



Type	Wiring board size	Rail length	Number of saw teeth	Order number
FAS-ZKL 39	45 mm	40 mm	3	932351
FAS-ZKL 60	90 mm	85 mm	6	932352
FAS-ZKL 70	135 mm	130 mm	9	932353
FAS-ZKL 87	180 mm	175 mm	12	932354

FAS-ZL cable management plate (metal)



Type	Wiring board size	Rail length	Number of saw teeth	Order number
FAS-ZL 39	45 mm	40 mm	3	900231
FAS-ZL 60	90 mm	85 mm	6	900232
FAS-ZL 70	135 mm	130 mm	9	900233
FAS-ZL 87	180 mm	175 mm	12	900234