

Cable entry system



Connectors and Valve Plugs

9.1	KDL series
9.2	KDP series
9.3	KBL series
9.4	KML series
9.5	KPL series
9.6	SF series

Frame model	Description	Small sealing rubber ring	Big sealing rubber ring
KDL 10/3 Part No.: 171011		3	0
KDL 16/4 Part No.: 171012		4	0
KDL 24/5 Part No.: 171016		5	0
KDL 2/10 Part No.: 171017		10	0
KDL 3/15 Part No.: 171018		15	0

Remark: Matching grommets: KDT/Z See page: 9.1.2

-40 - 80 °C

PA 6.6

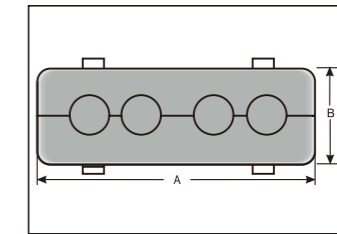
V0

IP 54

Type	Part No.	Color	No. of openings small / large	A mm	B mm	Installation height mm	a mm	b mm	c mm	d mm	e mm
For standard cut-outs											
KDL 10/3	171011	Black	3 / -	96.0	58.0	10.0	66.0	36.0	41.5	16.0	5.5
KDL 16/4	171012	Black	4 / -	116.0	58.0	10.0	86.0	36.0	51.5	16.0	5.5
KDL 24/5	171016	Black	5 / -	146.0	58.0	10.0	112.0	36.0	65.0	16.0	5.5
KDL 2/10	171017	Black	10 / -	146.0	90.0	10.0	112.0	55.0	65.0	32.0	5.5
KDL 3/15	171018	Black	15 / -	146.0	122.0	10.0	112.0	96.0	65.0	48.0	5.5

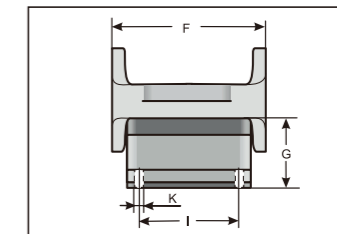
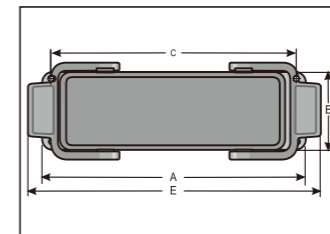
Mounting enclosure type KD/SG

- 40 - 80 °C
- PA 6.6
- V0
- IP 54



Type	Part No.	Color	No. of openings small / large	Suitable for	A mm	B mm
KD/SG -24/4	171034	Grey	4 / -	-	120	43

Type	Part No.	Color	Suitable for	A mm	B mm	C mm	E mm	F mm	G mm	I mm	K mm
H24B-AG	09300240301	Grey	KD/SG -24/4	140	44	103	155	55	27	32	4.5



Remark: Matching grommets: KDT/Z See page: 9.1.2

- 40 - 80 °C
- TPR
- HB
- IP 54



Type	Part No.	Color	For Ømm	For entry small / large
Grommet, small-Ⓟ				
KDT/Z 03	171212	Black	3 - 4	● / -
KDT/Z 04	171214	Black	4 - 5	● / -
KDT/Z 05	171216	Black	5 - 6	● / -
KDT/Z 06	171218	Black	6 - 7	● / -
KDT/Z 07	171220	Black	7 - 8	● / -
KDT/Z 08	171222	Black	8 - 9	● / -
KDT/Z 09	171224	Black	9 - 10	● / -
KDT/Z 10	171226	Black	10 - 11	● / -
KDT/Z 11	171228	Black	11 - 12	● / -
KDT/Z 12	171230	Black	12 - 13	● / -
KDT/Z 13	171232	Black	13 - 14	● / -
KDT/Z 14	171234	Black	14 - 15	● / -
KDT/Z 15	171236	Black	15 - 16	● / -
Dummy grommet				
BTK-Ⓟ	171210	Black		● / - 10

KDP cable entry system



Benefits

- Extremely low space requirement
- Protection class IP65
- Built-in sealing structure
- Assembly without tools
- Cable & plug manufacturer's system guarantee remains valid

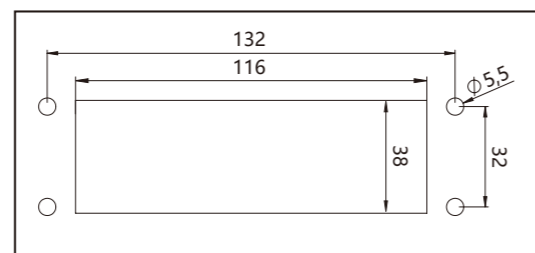
Technical data

- Cut-out dimensions 112x36mm
- KDP External dimensions: L=147mmxB=59mmx15 mm
- Strain relief according DIN/EN 50262/98
- Anti-weak acid and weak base

Material

Properties: Halogen-free, silicone-free
 Temperature range: -30°C to +70°C
 Protection degree: IP65
 Flame class (UL94) : V0
 Color: Black

Platemounting dimensions



KDP cable entry system



Description	Type	Part No.	Wire clamping range (mm)						Openings quantity	
			3.0-6.5	4.1-8.1	5.0-9.2	8.0-12.5	9.0-14.0	9.6-15.9		14.0-20.0
	KDP 24/11	301110	4	---	4	---	---	---	3	11
	KDP 24/12	301120	---	---	---	12	---	---	---	12
	KDP 24/13	301130	2	6	---	---	4	---	1	13
	KDP 24/14	301140	6	---	4	---	---	4	---	14
	KDP 24/17	301150	---	---	17	---	---	---	---	17
	KDP 24/17-1	301151	11	1	---	5	---	---	---	17
	KDP 24/22-1	301160	16	---	4	2	---	---	---	22
	KDP 24/22	301161	15	---	6	---	---	---	1	22
	KDP 24/23	301170	---	23	---	---	---	---	---	23
	KDP 24/29	301180	29	---	---	---	---	---	---	29
	KDP 24/29-1	301181	26	---	3	---	---	---	---	29
	BP 24	171624	---	---	---	---	---	---	---	0

KDP cable entry plates (Round)



Type	Patr No.	Number of cables	Thread metric	External diameter	Exceeds cut-out
KDP 63/13	043761	4 x 3.2 - 6.5 mm 4 x 5.0 - 10.2 mm 5 x 9.0 - 16.2 mm	M63	mm	8.0 mm

KBL cable entry system

KBL E detachable frame



Accessories: Split inserts
See page 9.3.12-9.3.15 for module specifications



Frame model	Description	Platemounting dimensions (mm)	KT Inserts small/ large
KBL E2 Trame part No. 040602 See pages 9.3.12-9.3.15 for module specifications		43 × 24	2 -
KBL E3 Trame part No. 041003 See pages 9.3.12-9.3.15 for module specifications		65 × 24	3 -
KBL E4 Trame part No. 041604 See pages 9.3.12-9.3.15 for module specifications		86 × 24	4 -
KBL E5 Trame part No. 042405 See pages 9.3.12-9.3.15 for module specifications		112 × 24	5 -

Material: Polyamide (PA)
Flame class: UL94-V0, Self-extinguishing
Protection degree : IP54, With gasket and correct selection of the cable inserts (Conform to DIN EN 60529:2000-09)
Temperature : 40°C to +140°C (Static)
Properties: Halogen-free, silicone-free
KBL Height: 17 mm

KBL cable entry system

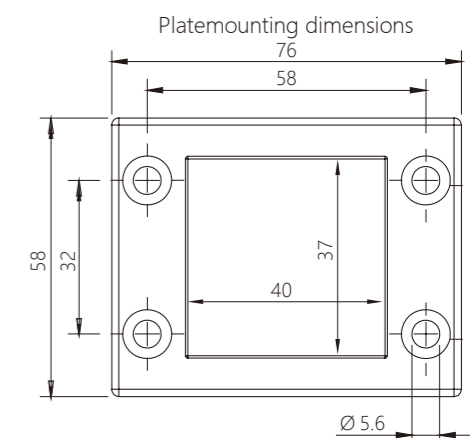
KBL 6 detachable frame



Accessories: Split inserts
See page 9.3.12-9.3.15 for module specifications

Frame model	Description	KT Inserts small/ large
KBL 6/1 Trame part No. 040601 See pages 9.3.12-9.3.15 for module specifications		- / 1
KBL 6/4 Trame part No. 040604 See pages 9.3.12-9.3.15 for module specifications		4 / -

Material: Polyamide (PA)
Flame class: UL94-V0, Self-extinguishing
Protection degree : IP54, With gasket and correct selection of the cable inserts (Conform to DIN EN 60529:2000-09)
Temperature : 40°C to +140°C (Static)
Properties: Halogen-free, silicone-free
Cut-out dimensions : 37 × 40 mm
KBL height: 17 mm



KBL cable entry system

KBL 10 detachable frame

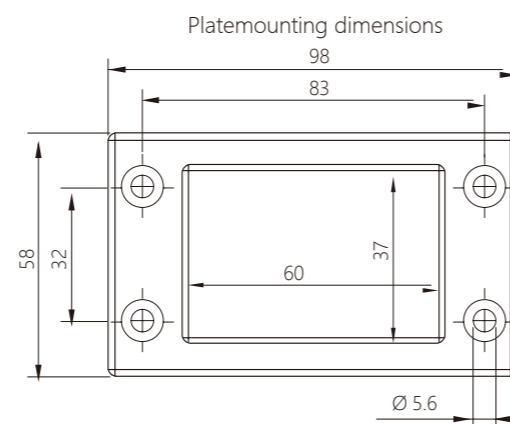


Accessories: Split inserts
See page 9.3.12-9.3.15 for module specifications



Frame model	Description	KT Inserts small / large
KBL 10/3 Trame part No. 041004 See pages 9.3.12-9.3.15 for module specifications		2 / 1
KBL 10/6 Trame part No. 041006 See pages 9.3.12-9.3.15 for module specifications		6 / -

Material: Polyamide (PA)
Flame class: UL94-V0, Self-extinguishing
Protection degree : IP54, With gasket and correct selection of the cable inserts (Conform to DIN EN 60529:2000-09)
Temperature : 40°C to +140°C (Static)
Properties: Halogen-free, silicone-free
Cut-out dimensions : 37 × 60 mm

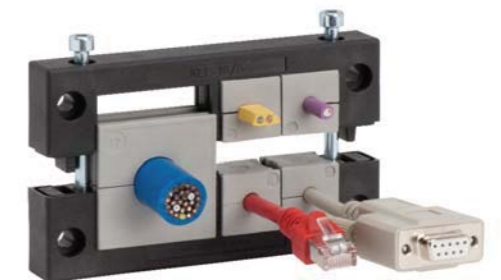


KBL cable entry system

KBL 16 detachable frame

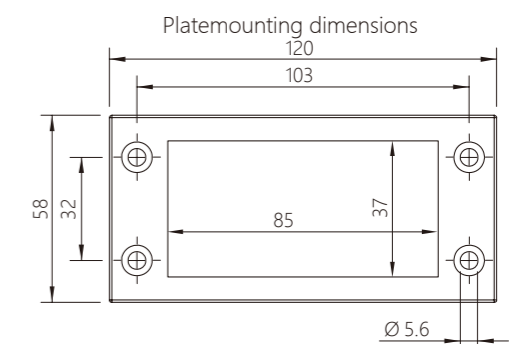


Accessories: Split inserts
See page 9.3.12-9.3.15 for module specifications



Frame model	Description	KT Inserts small / large
KBL 16/8 Trame part No. 042168 See pages 9.3.12-9.3.15 for module specifications		8 / -
KBL 16/5 Trame part No. 042165 See pages 9.3.12-9.3.15 for module specifications		4 / 1
KBL 16/4 Trame part No. 042164 See pages 9.3.12-9.3.15 for module specifications		4 / -
KBL 16/2 Trame part No. 042162 See pages 9.3.12-9.3.15 for module specifications		- / 2

Material: Polyamide (PA)
Flame class: UL94-V0, Self-extinguishing
Protection degree : IP54, With gasket and correct selection of the cable inserts (Conform to DIN EN 60529:2000-09)
Temperature : 40°C to +140°C (Static)
Properties: Halogen-free, silicone-free
Cut-out dimensions : 37 × 85 mm
KBL height: 17 mm



KBL cable entry system

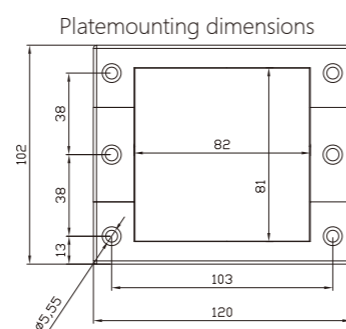
KBL 16-MT detachable frame



Accessories: Split inserts
See page 9.3.12-9.3.15 for module specifications

Frame model	Description	KT Inserts small / large
KBL 16/4-MT Trame part No. 044164 See pages 9.3.12-9.3.15 for module specifications		- / 4
KBL 16/10-MT Trame part No. 044161 See pages 9.3.12-9.3.15 for module specifications		8 / 2
KBL 16/13-MT Trame part No. 044162 See pages 9.3.12-9.3.15 for module specifications		12 / 1
KBL 16/16-MT Trame part No. 044163 See pages 9.3.12-9.3.15 for module specifications		16 / -

Material: Polyamide (PA)
Flame class: UL94-V0, Self-extinguishing
Protection degree: IP54, With gasket and correct selection of the cable inserts (Conform to DIN EN 60529:2000-09)
Temperature: 40°C to +140°C (Static)
Properties: Halogen-free, silicone-free
Cut-out dimensions: 81x 82 mm
KBL height: 17 mm



KBL cable entry system

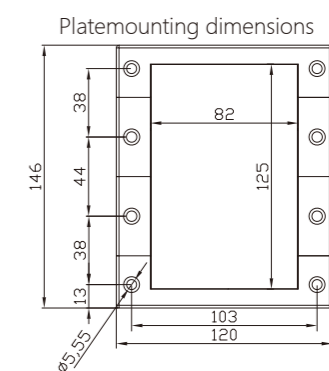
KBL 16-2MT detachable frame

Accessories: Split inserts
See page 9.3.12-9.3.15 for module specifications



Frame model	Description	KT Inserts small / large
KBL 16/6-2MT Trame part No. 044166 See pages 9.3.12-9.3.15 for module specifications		0 / 6
KBL 16/15-2MT Trame part No. 044167 See pages 9.3.12-9.3.15 for module specifications		12 / 3
KBL 16/21-2MT Trame part No. 044168 See pages 9.3.12-9.3.15 for module specifications		20 / 1
KBL 16/24-2MT Trame part No. 044169 See pages 9.3.12-9.3.15 for module specifications		24 / -

Material: Polyamide (PA)
Flame class: UL94-V0, Self-extinguishing
Protection degree: IP54, With gasket and correct selection of the cable inserts (Conform to DIN EN 60529:2000-09)
Temperature: 40°C to +140°C (Static)
Properties: Halogen-free, silicone-free
Cut-out dimensions: 125x 82 mm
KBL height: 17 mm



KBL cable entry system

KBL 24 detachable frame

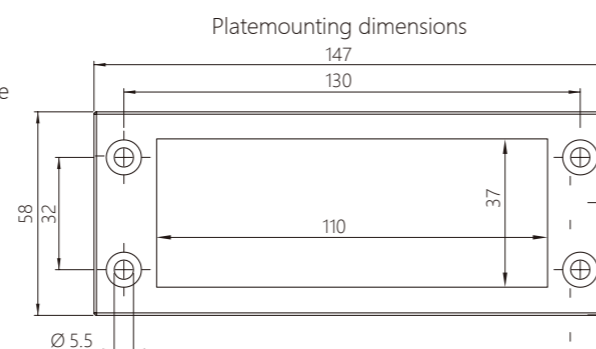


Accessories: Split inserts
See page 9.3.12-9.3.15 for module specifications



Frame model	Description	KT Inserts small/ large
KBL 24/10 Trame part No. 042241 See pages 9.3.12-9.3.15 for module specifications		10 / -
KBL 24/7 Trame part No. 042247 See pages 9.3.12-9.3.15 for module specifications		6 / 1
KBL 24/5 Trame part No. 042248 See pages 9.3.12-9.3.15 for module specifications		5 / -
KBL 24/4 Trame part No. 042244 See pages 9.3.12-9.3.15 for module specifications		2 / 2

Material: Polyamide (PA)
Flame class: UL94-V0, Self-extinguishing
Protection degree : IP54, With gasket and correct selection of the cable inserts (Conform to DIN EN 60529:2000-09)
Temperature : 40°C to +140°C (Static)
Properties: Halogen-free, silicone-free
Cut-out dimensions : 37 × 110 mm
KBL height: 17 mm



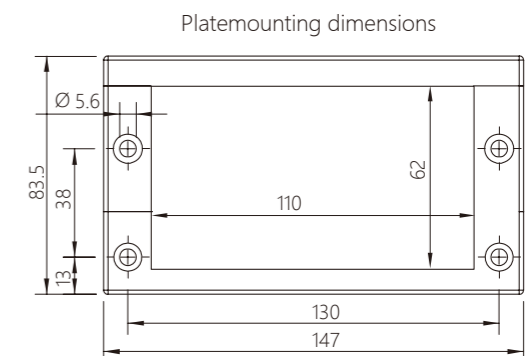
KBL cable entry system

KBL 24-E detachable frame



Type	Description	KT Inserts small/ large
KBL 24/15-E Trame part No. 042209 See pages 9.3.12-9.3.15 for module specifications		15 / -
KBL 24/12-E Trame part No. 042208 See pages 9.3.12-9.3.15 for module specifications		11 / 1
KBL 24/9-E Trame part No. 042207 See pages 9.3.12-9.3.15 for module specifications		7 / 2

Material: Polyamide (PA)
Flame class: UL94-V0, Self-extinguishing
Protection degree : IP54, With gasket and correct selection of the cable inserts (Conform to DIN EN 60529:2000-09)
Temperature : 40°C to +140°C (Static)
Properties: Halogen-free, silicone-free
Cut-out dimensions : 62 × 110 mm
KBL height: 17 mm



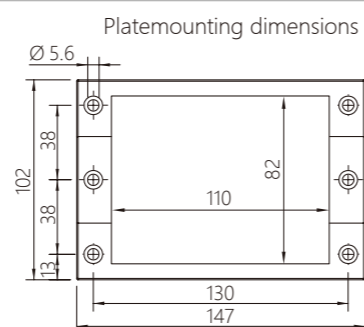
KBL cable entry system

KBL 24-MT detachable frame



Frame type	Description	KT Inserts Small / large
KBL 24/20-MT Trame part No. 042232 See pages 9.3.12-9.3.15 for module specifications		20 / -
KBL 24/17-MT Trame part No. 042224 See pages 9.3.12-9.3.15 for module specifications		16 / 1
KBL 24/14-MT Trame part No. 042225 See pages 9.3.12-9.3.15 for module specifications		12 / 2
KBL 24/8-MT Trame part No. 042221 See pages 9.3.12-9.3.15 for module specifications		4 / 4

Material: Polyamide (PA)
 Flame class: UL94-V0, Self-extinguishing
 Protection degree: IP54, With gasket and correct selection of the cable inserts
 (Conform to DIN EN 60529:2000-09)
 Temperature: -40°C to +140°C (Static)
 Properties: Halogen-free, silicone-free
 Cut-out dimensions: 82 × 110 mm
 KBL height: 17 mm



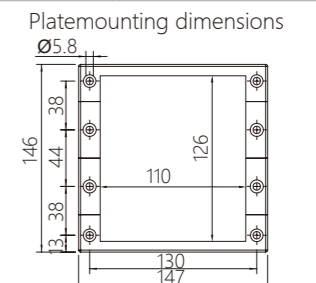
KBL cable entry system

KBL 24-2MT detachable frame



Frame type	Description	KT Inserts Small / large
KBL 24/30-2MT Trame part No. 042234 See pages 9.3.12-9.3.15 for module specifications		30 / -
KBL 24/27-2MT Trame part No. 042233 See pages 9.3.12-9.3.15 for module specifications		26 / 1
KBL 24/24-2MT Trame part No. 042227 See pages 9.3.12-9.3.15 for module specifications		22 / 2
KBL 24/21-2MT Trame part No. 042226 See pages 9.3.12-9.3.15 for module specifications		18 / 3
KBL 24/12-2MT Trame part No. 042223 See pages 9.3.12-9.3.15 for module specifications		6 / 6

Material: Polyamide (PA)
 Flame class: UL94-V0, Self-extinguishing
 Protection degree: IP54, With gasket and correct selection of the cable inserts
 (Conform to DIN EN 60529:2000-09)
 Temperature: -40°C to +140°C (Static)
 Properties: Halogen-free, silicone-free
 Cut-out dimensions: 126 × 110 mm
 KBL height: 17 mm

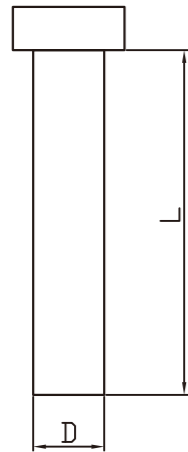


KBL cable entry system

ST Module plug (For KT/KTMB modules)



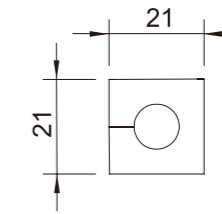
Material: Polyamide (PA), With
 Flame class: UL94-V0, Self-extinguishing
 Temperature: - 40°C to +120°C
 Properties: Halogen-free, silicone-free



Description	Type	Part No.	Diameter D	Length L
	ST2	042909	2.0mm	25mm
	ST3	042901	3.0mm	25mm
	ST4	042908	4.0mm	25mm
	ST5	042906	5.0mm	25mm
	ST6	042903	6.0mm	25mm
	ST7	042905	7.0mm	25mm
	ST8	042899	8.0mm	20mm
	ST9	042897	9.0mm	20mm
	ST10	042895	10.0mm	20mm
	ST11	042893	11.0mm	20mm
	ST12	042891	12.0mm	20mm
	ST13	042889	13.0mm	20mm
	ST14	042887	14.0mm	20mm
	ST15	042885	15.0mm	20mm
	ST16	042883	16.0mm	20mm
	ST17	042881	17.0mm	20mm

KBL cable entry system

KT inserts, small



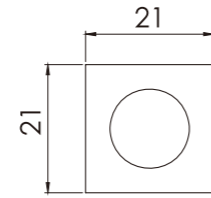
Material: Elastomer
 Flame class: UL94-V0, Self-extinguishing
 Protection degree: IP65
 Temperature: - 40°C to +90°C (Static)
 Properties: Halogen-free, silicone-free



Description	Type	Part No. Grey	Clamping range	
BTK	BTK	041251	No	
KT (Small)	KT 2	039934	2-3 mm	
	KT 3	041203	3-4 mm	
	KT 4	041204	4-5 mm	
	KT 5	041205	5-6 mm	
	KT 6	041206	6-7 mm	
	KT 7	041207	7-8 mm	
	KT 8	041208	8-9 mm	
	KT 9	041209	9-10 mm	
	KT 10	041210	10-11 mm	
	KT 11	041211	11-12 mm	
	KT 12	041212	12-13 mm	
	KT 13	041213	13-14 mm	
	KT 14	041214	14-15 mm	
	KT 15	041215	15-16 mm	
	KTs 16	039901	16 mm	
	KT 2/x	KT 2/3	039939	2×ø3mm
KT 2/4		039906	2×ø4mm	
KT 2/5		041200	2×ø5mm	
KT 2/6		041201	2×ø6mm	
KT 2/7		041202	2×ø7mm	
KT 2/8		039917	2×ø8mm	
KT 4/x		KT 4/3	039914	4×ø3mm
		KT 4/4	039909	4×ø4mm
	KT 4/5	039908	4×ø5mm	
	KT 4/6	039932	4×ø6mm	

KBL cable entry system

KTP inserts, small

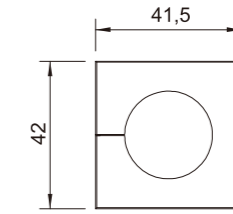


Material: Elastomer
 Flame class: UL94-V0, Self-extinguishing
 Protection degree: IP65
 Temperature: - 40°C to +90°C (Static)
 Properties: Halogen-free, silicone-free

Description	Type	Part No. Grey	Clamping range
	KTP-A	042565	2.5 - 6.5 mm
	KTP-B	040475	4 - 7.5 mm
	KTP-C	046510	6.5 - 10 mm
	KTP-D	049513	9.5 - 13 mm
	KTP-D	049513	9.5 - 13 mm
	KTP-E	041316	13 - 16 mm

KBL cable entry system

KT inserts, large



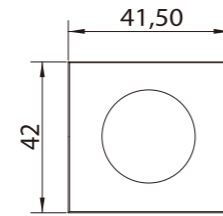
Material: Elastomer
 Flame class: UL94-V0, Self-extinguishing
 Protection degree: IP65
 Temperature: - 40°C to +90°C (Static)
 Properties: Halogen-free, silicone-free



Description	Type	Part No. Grey	Clamping range
	ATG	041253	Adapter plugged in
	BTG	041252	Filler block
	KT 16	041216	16-17 mm
	KT 17	041217	17-18 mm
	KT 18	041218	18-19mm
	KT 19	041219	19-20 mm
	KT 20	041220	20-21 mm
	KT 21	041221	21-22mm
	KT 22	041222	22-23 mm
	KT 23	041223	23-24 mm
	KT 24	041224	24-25mm
	KT 25	041225	25-26 mm
	KT 26	041226	26-27 mm
	KT 27	041227	27-28mm
	KT 28	041228	28-29 mm
	KT 29	041229	29-30 mm
	KT 30	041230	30-31 mm
	KT 31	041231	31-32 mm
	KT 32	041232	32-33 mm
KT 33	041233	33-34 mm	
KT 34	041234	34-35 mm	

KBL cable entry system

KTB inserts, large

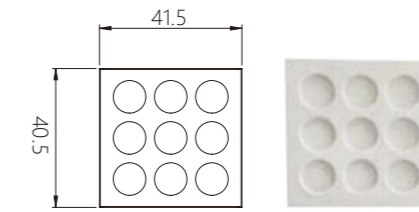


Material: Elastomer
 Flame class: UL94-V0, Self-extinguishing
 Protection degree: IP65
 Temperature: - 40°C to +90°C(Static)
 Properties: Halogen-free, silicone-free

Description	Type	Part No. Grey	Clamping range
	KTB-A	041318	13 - 18 mm
	KTB-B	041823	18 - 23 mm
	KTB-C	042328	23 - 28 mm
	KTB-D	042833	28 - 33 mm

KBL cable entry system

DT inserts, small

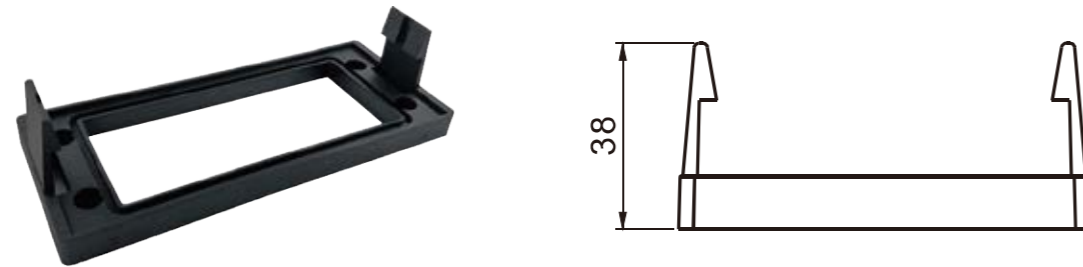


Material: Elastomer
 Flame class: UL94-V0, Self-extinguishing
 Protection degree: IP65
 Temperature: - 40°C to +90°C(Static)
 Properties: Halogen-free, silicone-free

Description	Type	Part No. Grey	Number of cable
	DT4	041530	9xMaximum mass 9.5mm
	DT5	041540	4xMaximum mass 14.5mm 1xMaximum mass 9.5mm

KBL cable entry system

KBL SNAP Quick Mount



Frame type	Description	Cut-out Dim	Suit For
KBL SNAP-6 Trame part No.040600			KBL 6/1 KBL 6/4
KBL SNAP-10 Trame part No.041000			KBL 10/3 KBL 10/6
KBL SNAP-16 Trame part No.041600			KBL 16/2 KBL 16/4 KBL 16/5 KBL 16/8
KBL SNAP-24 Trame part No.042400			KBL 24/4 KBL 24/5 KBL 24/7 KBL 24/10

Material: Polyamide (PA)
 Flame class: UL94-V0, Self-extinguishing
 Protection degree: IP54, With gasket and correct selection of the cable inserts
 (Conform to DIN EN 60529:2000-09)
 Temperature: - 40°C to +140°C (Static)
 Properties: Halogen-free, silicone-free
 KBL height: 38 mm

KBL cable entry system

KBL-BES-S brushed cable entry system - detachable

Material: Polyamide(PA)
 Color: Black
 Temperature: -20°C to +9 0°C
 Height: 10 mm



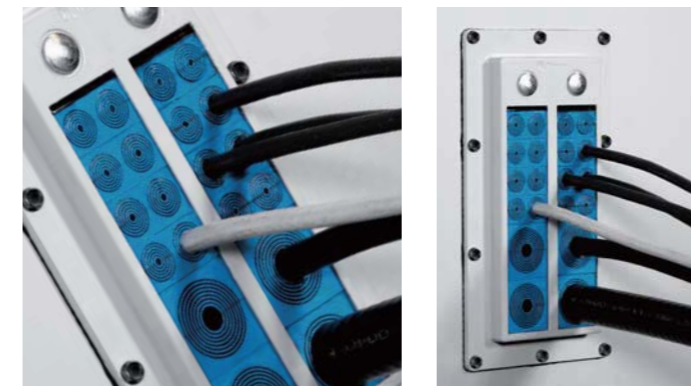
Description	Type	Part No.	Description	Cut-out Dim
	KBL-BES-S24	042411		
	KBL-BES-S16	041611		
	KBL-BES-S10	041011		
	KBL-BES-S6	040611		

KML cable entry system

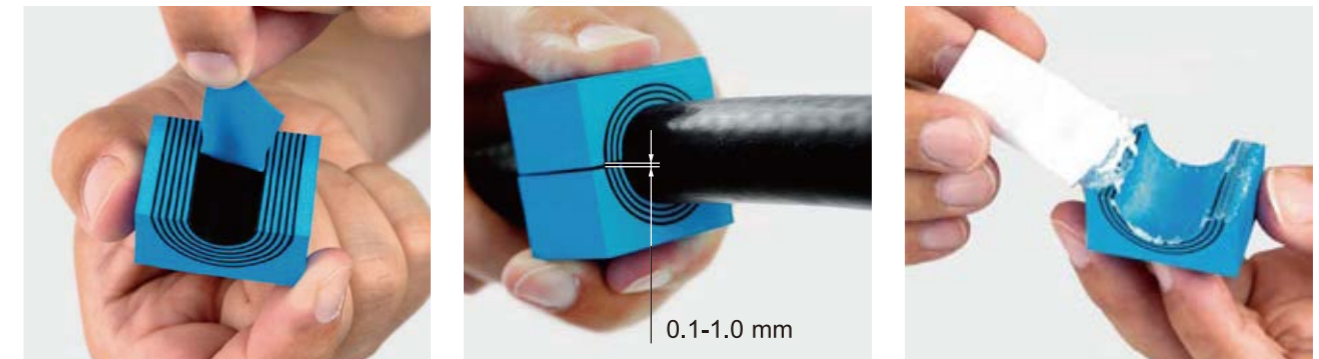


SEALING SOLUTIONS FOR CABLE AND PIPE PENETRATIONS

KML cable entry system



Material: Aluminum
Temperature: -40°C to +120°C
Protection degree: IP65
Suitable for situations: Power control cabinets, communication control cabinets, machine tool control cabinets, automation equipment, power cabinets, etc. need cable introduction and lead-out occasions.

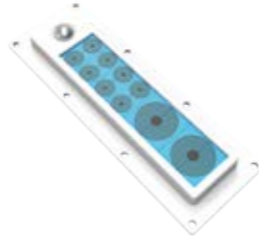


By simply stripping the core, individual modules can be used to seal cables or pipes of different diameters. If the center plug is not removed, the module is used as a spare part in preparation for future expansion.


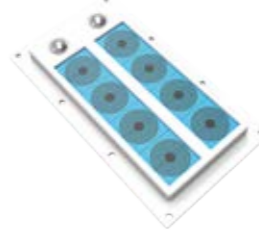
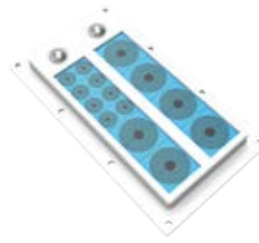
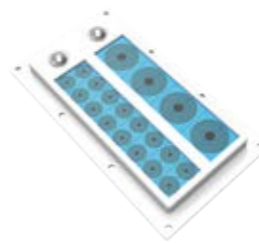
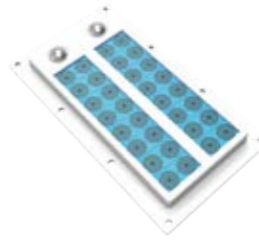
- For use with Group CM components
- Adaptable sealing modules for cables and pipes 3.5-34.5 mm OD

KML cable entry system

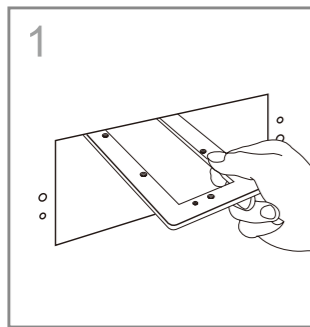
KML kit, integrated compression unit, aluminum
 RATINGS IP: 55 UL/NEMA: 3, 12, 12K

KIT Type (with module)	Diameter range and number of cables		Description	Part No.
	0+4.0-16.5 mm (CM 20W40)	0+9.5-32.5 mm (CM 40 10-32)		
KML 10/4	2 cables	2 cables		100401
KML 10/7	6 cables	1 cables		100701
KML 10/10	10 cables			101001
KML 16/4		4 cables		160401
KML 16/7	4 cables	3 cables		160701
KML 16/10	8 cables	2 cables		161001

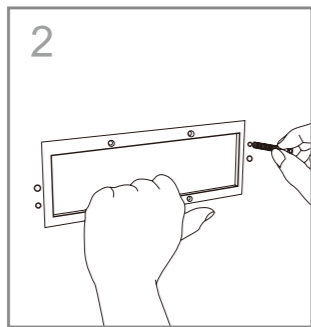
KML cable entry system

KIT Type (with module)	Diameter range and number of cables		Description	Part No.
	0+4.0-16.5 mm (CM 20W40)	0+9.5-32.5 mm (CM 40 10-32)		
KML 16/16	16 cables			161601
KML 32/8		8 cables		320801
KML 32/14	8 cables	6 cables		321401
KML 32/20	16 cables	4 cables		322001
KML 32/32	32 cables			323201

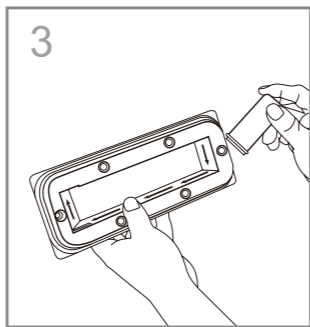
KML HOW TO INSTALL



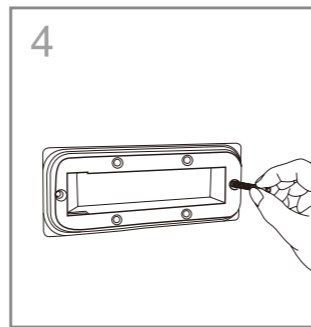
Step 1: Insert the frame plate into the box/cabinet.



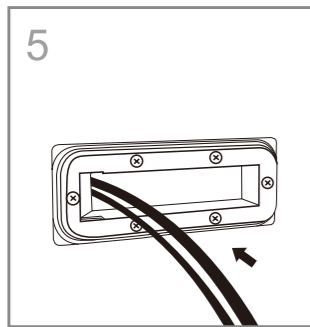
Step 2: Use two M5 screws through the box/cabinet wall to fix the frame plate.



Step 3: Evenly coat the inner surface of the frame with grease.



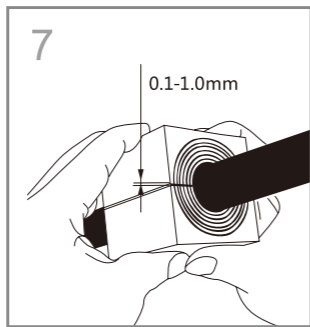
Step 4: Load the frame from the outside, use 6 hexagonal torx screws to fix the frame plate and the frame together with the box/cabinet wall, and screw it evenly in order.



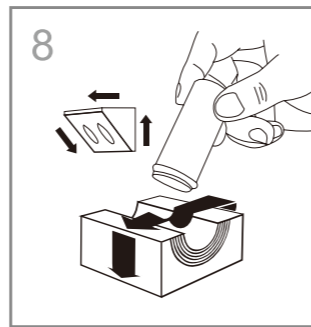
Step 5: Feed the cables/tubing upside down through the frame.



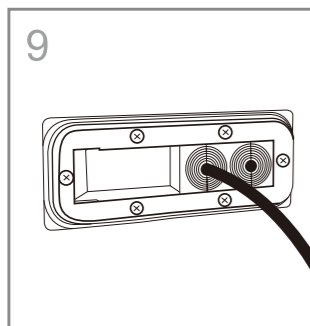
Step 6: Peel off the reducer of the module according to the outer diameter of the cable/pipe to adapt the inner diameter to the outer diameter of the cable/pipe.



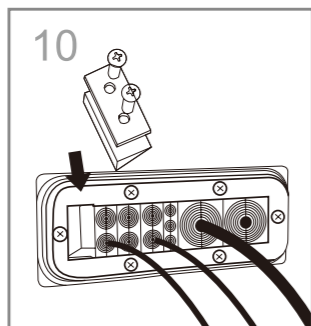
Step 7: After the module is matched with the cable/pipe, the side gap is between 0.1-1.0mm.



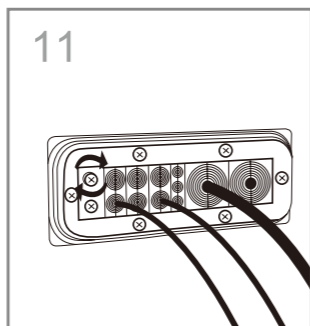
Step 8: Apply the reducer module and its wedge compactor with grease.



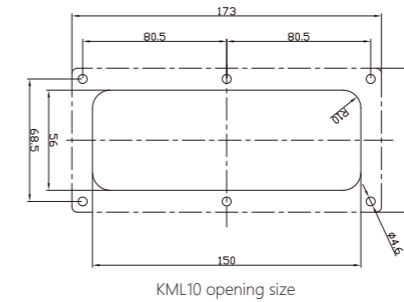
Step 9: Load the variable diameter modules in sequence in the box.



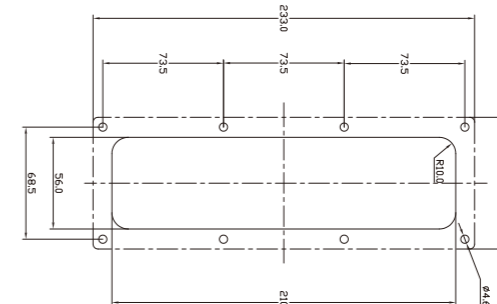
Step 10: Put in the wedge pressing block, small pressure plate and 2 hexagonal torx groove screws in turn.



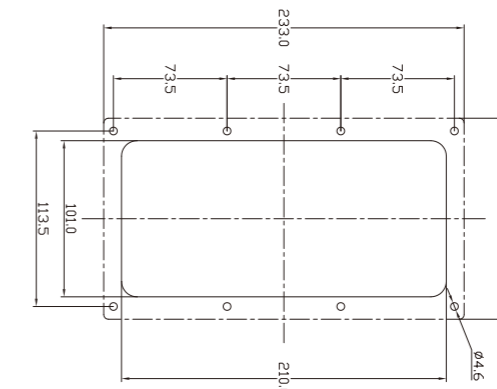
Step 11: Screw evenly until sealed.



KML10 opening size



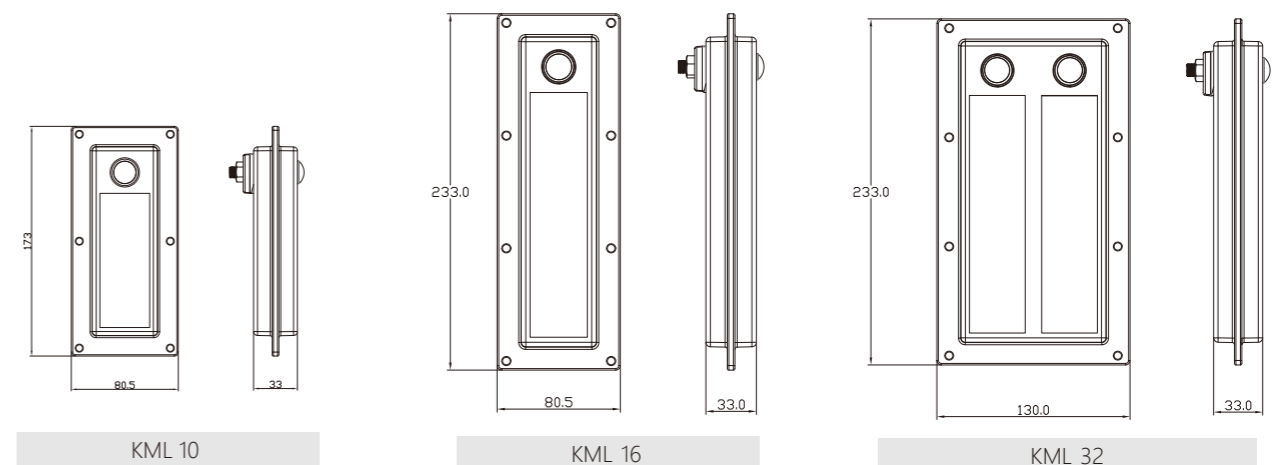
KML16 opening size



KML32 opening size

Area that must be unpainted (conductive) for EMC installations.

KML frame, technical information



KPL cable entry system

KPL 2 4/48 Cable entry frames(Variable diameter module)

Material: Halogen-free, silicone-free 66
 Color: Black
 Temperature: -40°C to +120°C
 Protection degree: IP65
 Flame class: Flammability acc. to UL94 V0
 Suitable for situations: Electric control cabinet, communication, machine tool control cabinet, automation equipment, power supply cabinet need cable entry which leads to the occasion.






KPL 64 Large diameter sealing frame



Type	Description	Clamping range	Patr No.	Designation (mm) Length x Width x Height
KPL 64 / 1C Trame part No. 086401		25-65mm	086401	111 x 116.5 x 35 (Matching module model RM80)
KPL 64 / 2C Trame part No. 086402		25-65mm	086402	201 x 116.5 x 35 (Matching module model RM80*2)


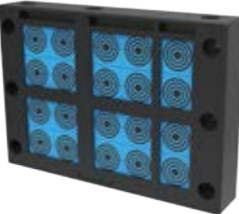

Material: Polyamide (PA)
 Flame class: UL94-V0, Self-extinguishing
 Protection degree: IP54
 Temperature: - 40°C to +140°C (Static)
 Properties: Halogen-free, silicone-free
 Cut-out dimensions: Round, cable diameter +15%

KPL cable entry system

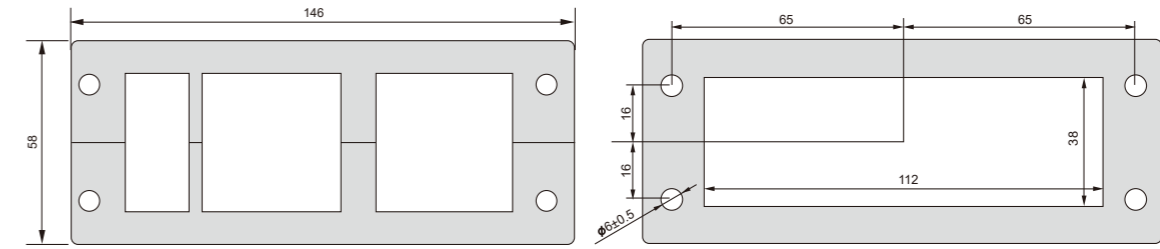
Type	Description	PM20×20 (mm)	PM40×40 (mm)	PM20×40 (mm)	Number of cables
		Range 4-14mm	Range 16-29mm	Range 4-10mm	
		Quantity	Quantity	Quantity	
KPL 24/14C Part No. 97020400		2	/	4	14
KPL 24/10C Part No. 97100000		10	/	/	10
KPL 24/9C Part No. 97020401		2	1	2	9
KPL 24/7C Part No. 97060001		6	1	/	7
KPL 24/4C Part No. 97030001		2	2	/	4

KPL cable entry system

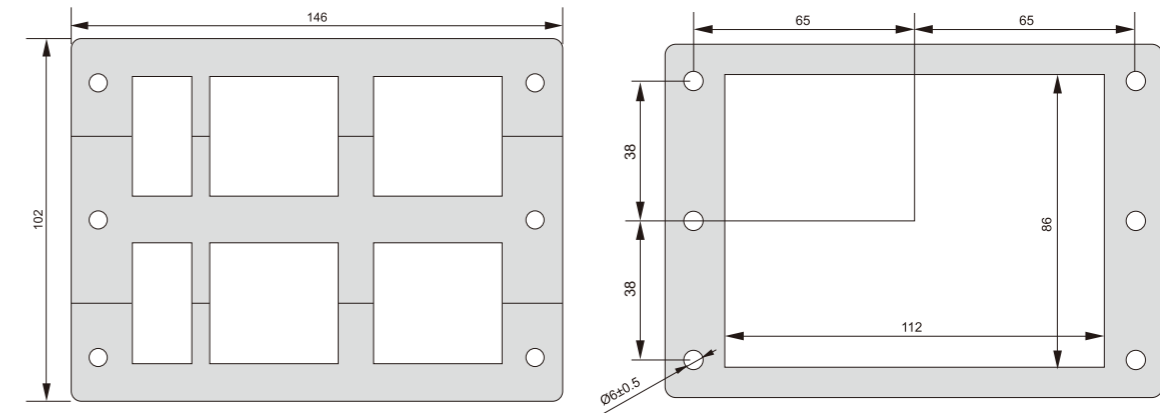


Type	Description	Quantity			Number of cables
		PM20×20 (mm)	PM40×40 (mm)	PM20×40 (mm)	
		Range 4-14mm	Range 16-29mm	Range 4-10mm	
KPL 48/28C Part No. 98040800		4	/	8	28
KPL 48/20C Part No. 98200000		20	/	/	20
KPL 48/18C Part No. 98040402		4	2	4	18

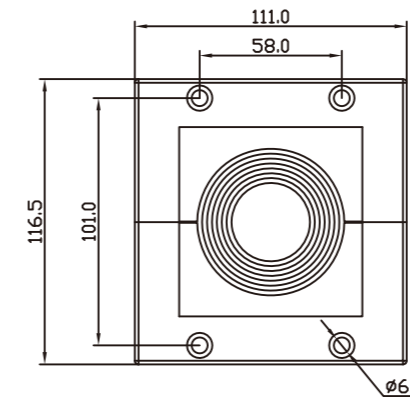
KPL cable entry system



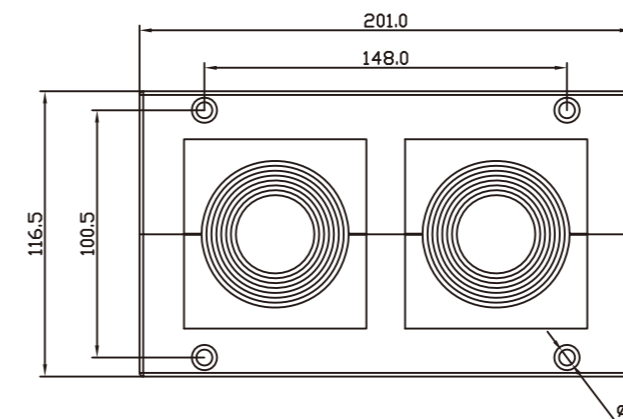
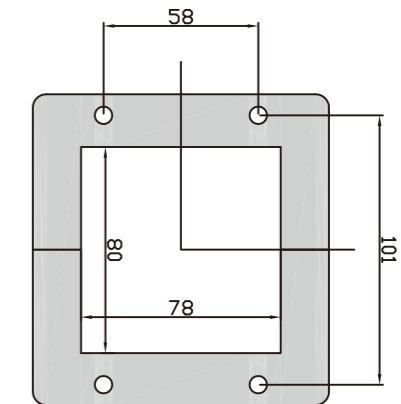
KPL24 opening size



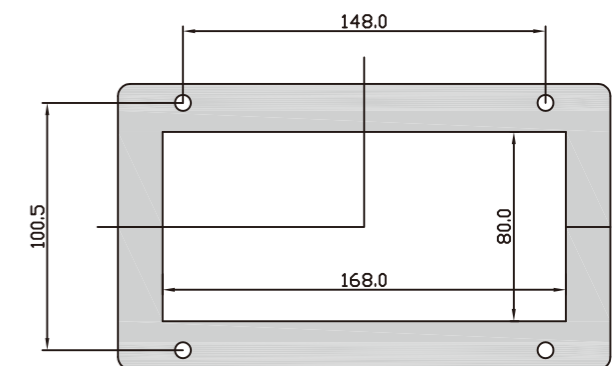
KPL48 opening size



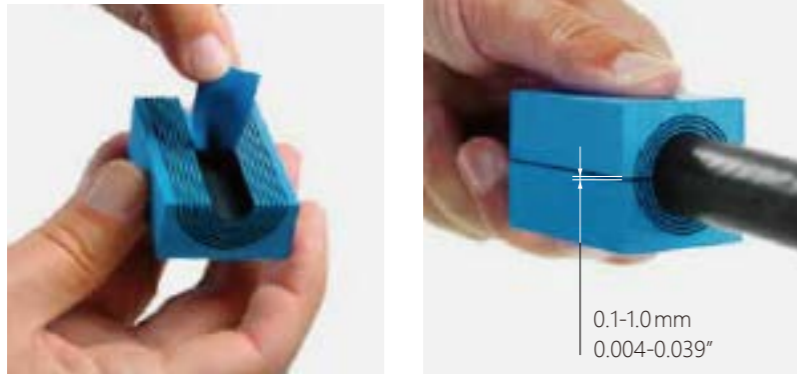
KPL64/1 opening size



KPL64/2 opening size



RM modules



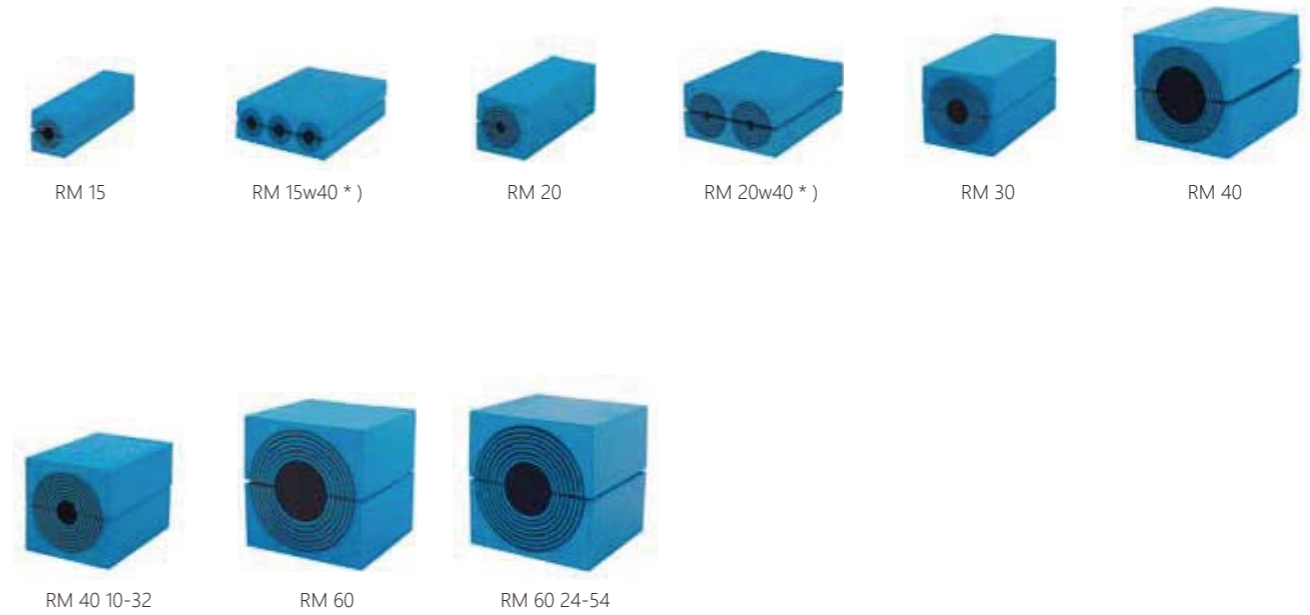
GB Sealing modules for use with FAS frames. Provide Multidiameter™, the FAS technology based on removable layers, for perfect adaptation to a cable or a pipe. When used with a solid core, the module functions as a spare module for future capacity.

■ For use with Group RM components
■ Adaptable sealing modules for cables and pipes 3.0-99.0 mm (0.118"-3.898") OD



FAS elec sealing modules, with core

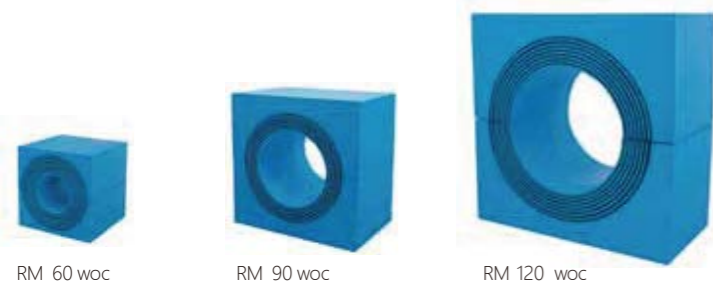
Fuyansheng Electronic Sealing Module with Center Plug



Module	Number of cables/pipes	For cable/pipe diameter		External dim. (mm) HxW (D=60 mm)	Weight	Art. No.
		Øa-Øb (mm)	Øa-Øb (in)			
RM 15	1	0+ 3.0-11.0	0+ 0.118-0.433	15x15		058116
RM 15w40 (*)	3	0+ 4.0-10.5	0+ 0.138-0.413	15x40		058416
RM 20	1	0+ 4.0-14.5	0+ 0.157-0.571	20x20		058226
RM 20w40 (*)	2	0+ 4.0-16.5	0+ 0.138-0.650	20x40		058426
RM 30	1	0+ 10.0-25.0	0+ 0.394-0.984	30x30		058336
RM 40	1	0+ 21.5-34.5	0+ 0.846-1.358	40x40		058446
RM 40 10-32	1	0+ 9.5-32.5	0+ 0.374-1.280	40x40		058446-1
RM 60	1	0+ 28.0-54.0	0+ 1.102-2.126	60x60		058666
RM 60 24-54	1	0+ 24.0-54.0	0+ 0.945-2.126	60x60		058666-1

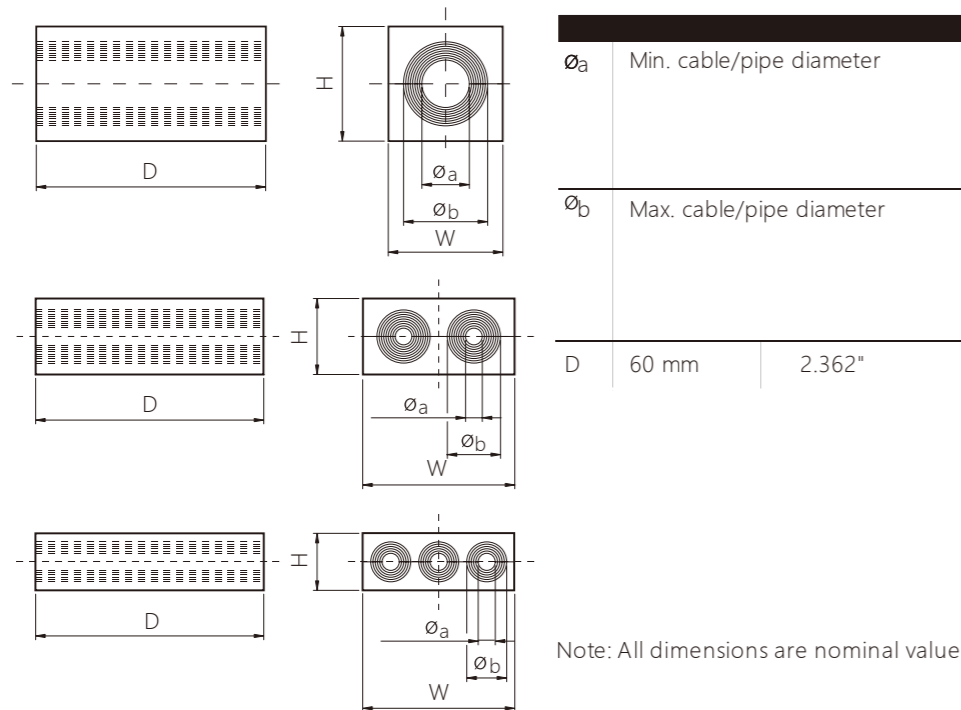
FAS elec sealing modules, with core

Fuyansheng Electronic Seal Module with Center Plug



RM 60 woc RM 90 woc RM 120 woc

Module	Number of cables/pipes	For cable/pipe diameter Øa-Øb (mm)	For cable/pipe diameter Øa-Øb (in)	External dim. (mm) HxW (D=60 mm)	Weight	Art. No.
RM 60 woc	1	28.0-54.0	1.102-2.126	60x60		060666
RM 90 woc	1	48.0-71.0	1.890-2.795	90x90		060996
RM 120 woc	1	67.5-99.0	2.657-3.898	120x120		060116



Wedge kit/parts, acid proof stainless steel

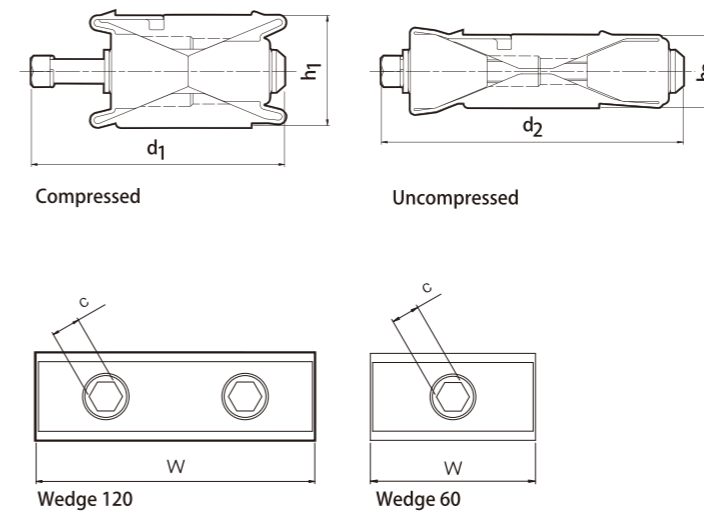
Wedge Fastening Kits/Parts, Acid Resistant Stainless Steel



Wedge 120 AISI 316 Wedge 60 AISI 316

Wedge	External dimensions		Weight		Art. No.
	W (mm)	W(in)	(kg)	(lb)	
Wedge 120 AISI 316	120	4.724	0.8	1.764	059126
Wedge 60 AISI 316	60	2.362	0.4	0.882	059066

* The Wedge kit includes one FAS Wedge 120, five Stayplates, one Wedge Clip, one lubricant and installation instructions.



Pos	(mm)	(in)
d ₁	109	4.291
d ₂	130	5.118
h ₁	48	1.890
h ₂	29	1.142
c	SW 13	SW 0.512

Note: All dimensions are nominal values

Stayplate

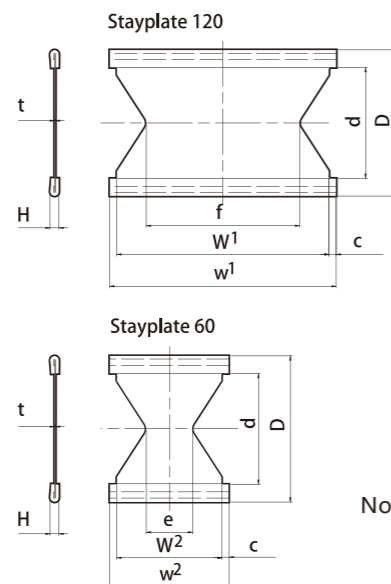
Separator board



Stayplate 120 AISI 316 Stayplate 60 AISI 316

CN	GB	Stayplate	Fits packing space		Weight		Art. No.
			W (mm)	W(in)	(kg)	(lb)	
		Stayplate 120 AISI 316	120	4.724	0.1	0.243	050126
		Stayplate 60 AISI 316	60	2.362	0.06	0.132	050066

AISI 316 Acid proof stainless steel
Acid-resistant stainless steel



Pos	(mm)	(in)
c	4	0.157
d	62	2.499
e	26	1.024
f	86	3.386
t	0.5	0.020
D	82	3.228
H	5	0.197
W ¹	119	4.685
w ¹	127	5.000
W ²	59	2.323
w ²	67	2.638

Note: All dimensions are nominal values

FAS Lubricant

Grease



Lubricant 15 ml
060001



Natural tallow is used to lubricate the sealing modules, the FAS Wedge and the inside of the frame. This provides even compression and a secure seal.